



NSK STANDARD BALL SCREWS COMPACT FA SERIES

Quiet, high-speed operating performance.



SUBSCRIBE TO NSK NEWSLETTER 

Table of Contents

Selection of ball screws

Three types of compact FA Series are available. Choose optimal types for your application.

NSK Standard Ball Screws

Page

Compact FA PSS Type for general use	4, 8-31
Accuracy grade: C5 grade of JIS Axial play: shaft dia. 6 and 8 mm; 0.005 mm or less shaft dia. 10 mm or over; 0	
Compact FA USS Type for high-accuracy and clean environments.....	5, 32-37
Accuracy grade: C3 grade of JIS Axial play: 0	
Compact FA FSS type for transfer equipment.....	6, 38-45
Accuracy grade: Ct7 grade of JIS Axial play: 0.010 mm or less	

Support Unit

Square Type	46-47
For general use, for clean use, space saving (low-profile type)	
Round Type	48-49
For general use, for clean use	
Square Type	50-51
For simple support side	

Combinations of screw shaft diameter and lead

Unit: mm

Lead \ Screw shaft dia.	5	8	10	12	15	20	25	30	40	50	60
6		●		●							
8			●		●						
10	● ●		●								
12	● ●		● ●			●		●			
15	● ●		● ●			● ●		●			
20	●		● ●			● ●		●	●		●
25	●		● ●			● ●	● ●	●		●	

● PSS type ● USS type ● FSS type

NSK Standard Ball Screws: Compact FA Series

Compact FA Series ball screws incorporate NSK's ball recirculation system and offer quiet, high-speed performance. In order to respond quickly to a wide range of needs, NSK offers four-week delivery on common sizes. These high-performing ball screws are ready for use in a variety of industries including: semiconductor manufacturing, medical equipment, factory automation and general industrial use.

The Compact FA Series includes the following types to meet your application requirements:

- PSS Type which offers various sizes for general use.
- USS Type for high accuracy and clean environment use.
- FSS Type for transfer equipment.

Features

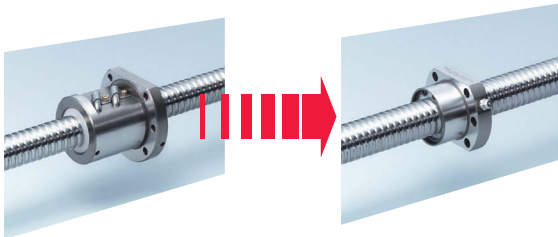
Quick delivery

Domestic manufacturing and comprehensive stocking program ensure four-week delivery and reduced shipping costs.

Compact ball screw

The outside diameter of the ball nut is as much as 30% smaller than those of existing NSK products. Compact size enables all sorts of equipment and devices, such as linear stages, to be smaller. NSK has also designed low profile support units, specific for the Compact FA series, enabling a unique space-saving design.

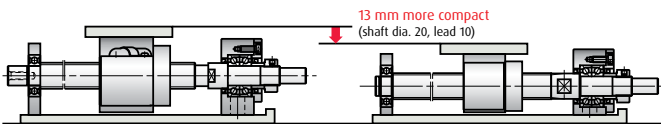
Shaft dia. 25 mm, lead 5 mm



Existing FA Series

Compact FA Series

Comparison of existing FA Series and Compact FA Series

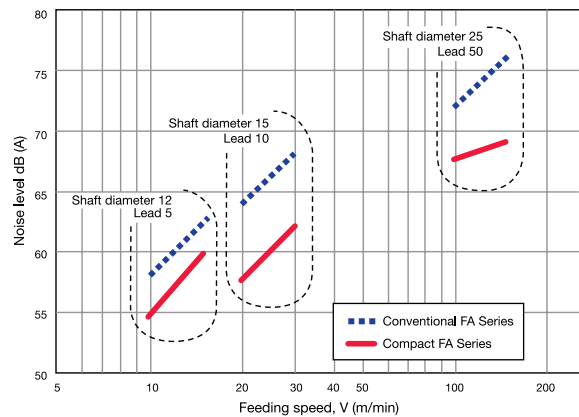


Existing support unit > New low-profile support unit

Quiet operation

The noise level of ball screws has been reduced by 6 dB, about half of what is sensed by the ear. Ball screws subsequently produce a quieter and gentler sound.

Noise data



(Microphone was positioned at a distance of 400 mm for all noise measurements.)

High-speed operation

They handle speeds up to 5000 min⁻¹. This capability dramatically expands the range of service conditions. Note: Please refer to the dimension table for details of permissible rotational speed.

Grease fitting provided as standard equipment

The new ball screws are equipped with a grease fitting (M5 × 0.8). Lubrication ports are provided in two locations to facilitate maintenance. The ball screws can be easily connected to an integrated lubrication system.

Contact seal

Compact, thin plastic seal is available and helps to minimize grease dispersion and maintain a clean work environment.

Compact FA Series: PSS Type for General Use

Applications

Semiconductor manufacturing equipment, LCD manufacturing equipment, material handling equipment, measuring equipment, medical equipment, etc.

Accuracy grade and axial play

Accuracy grade: C5 grade of JIS

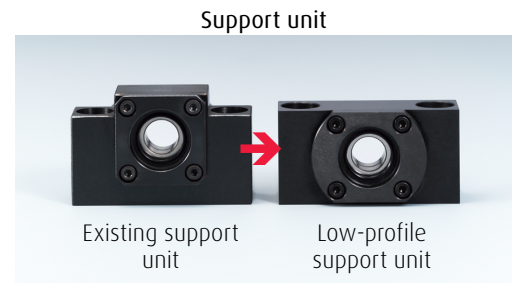
Axial play 1) Shaft dia. 6 and 8 mm: 0.005 mm or less
2) Shaft dia. 10 mm or over: 0 (Oversize ball preload)

Wide variation

Various combinations of shaft diameter, lead and stroke are available to meet a wide range of customer needs.

Shaft end support

The low-profile support units are compatible for the Compact FA Series. Each end of the ball screw shaft is designed to fit support unit, no detailed design after purchase is necessary.



Combinations of shaft diameter, lead and stroke

Shaft dia.	Lead	50	100	150	200	300	400	500	600	700	800	1000	1200	1600	2000	Page	Recommended support unit	
																	Fixed	Simple
6	8			▲*												8-9	WBK04-01M (square)	-
	12			▲*														WBK04-11M (round)
8	10			▲*												10-11	WBK06-01M (square)	-
	15			▲*														WBK06-11M (round)
10	5	●	●		●	●	●									12-13	WBK08-01B	WBK08S-01B
	10		●		●	●	●											
12	5	●	●		●	●	●	●								14-15	WBK08-01B	WBK08S-01B
	10		●		●	●	●	●										
	20		▲		▲	▲	▲	▲										
15	5	●	●		●	●	●	●	●							16-19	WBK12-01B WBK10-01B	WBK12S-01B
	10		●		●	●	●	●	●	●								
	20		▲		▲	▲	▲	▲	▲	▲	▲							
20	5			●	●	●	●	●	●	●	●	●				20-25	WBK15-01B	WBK15S-01B
	10				●	●	●	●	●	●	●	●	●					
	20				▲	▲	▲	▲	▲	▲	▲	▲	▲	▲				
	30				▲	▲	▲	▲	▲	▲	▲	▲	▲	▲				
25	5			●	●	●	●	●	●	●	●	●				26-31	WBK20-01	WBK20S-01
	10				●	●	●	●	●	●	●	●	●					
	20					●	●	●	●	●	●	●	●	●				
	25						●	●	●	●	●	●	●	●				
	30							▲	▲	▲	▲	▲	▲	▲				

*For shaft diameter 6 and 8, length shown is overall length.

● Stocked: 4-week delivery. ▲ Contact NSK for availability.

Reference number

PSS COMPACT FA PSS TYPE	15 SCREW SHAFT DIAMETER (MM)	05 LEAD (MM)	N1D NSK CONTROL NUMBER	0361 SCREW SHAFT LENGTH (MM)
-----------------------------------	--	------------------------	----------------------------------	--

Compact FA Series: USS Type for High-Accuracy and Clean Room Use

Applications

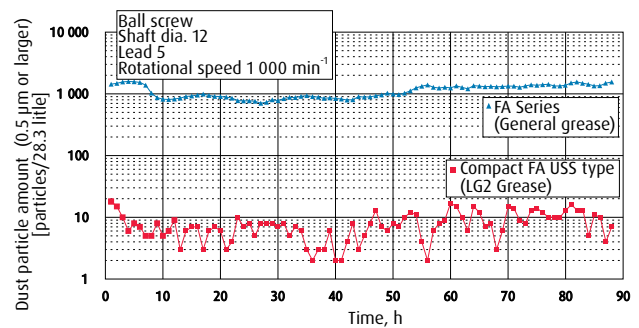
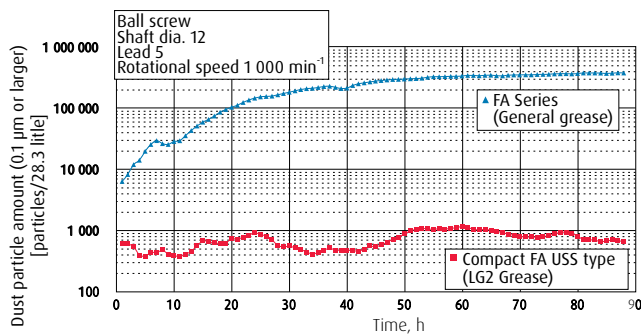
Semiconductor manufacturing equipment, LCD manufacturing equipment, and inspection equipment for clean room environments.

Accuracy grade and axial play

Accuracy grade: C3 grade of JIS Axial play: 0 (Oversize ball preload)

Low-dust emission

- LG2 clean grease is used as standard and reduces dust particle generation 90% compared to lithium grease
- 1/100 of dust particles generated with LG2 grease
- Ideal for clean room environmental use



Shaft end support

Low-profile support units for clean environments are available.

Combinations of screw shaft diameter, lead and stroke

Shaft dia.	Lead	Stroke					Page	Recommended support unit		
		100	200	400	500	600		Fixed	Simple	Application
10	5	●	●	●			32-33	WBK08-01B	WBK08S-01B	Low
								WBK08-01C	WBK08S-01C	Clean
12		●	●		●		34-35	WBK08-01B	WBK08S-01B	Low
								WBK08-01C	WBK08S-01C	Clean
15		●	●	●			36-37	WBK12-01B	WBK12S-01B	Low
						●		WBK12-01C	WBK12S-01C	Clean

Reference number

USS COMPACT FA USS TYPE	15 SCREW SHAFT DIAMETER (MM)	05 LEAD (MM)	N1D NSK CONTROL NUMBER	0361 SCREW SHAFT LENGTH (MM)
-----------------------------------	--	------------------------	----------------------------------	--

Compact FA Series: FSS Type for Transfer Equipment

Applications

Transfer equipment used in industrial fields such as automotive, semiconductor, and medical equipment.

Accuracy grade and axial play

Accuracy grade: Ct7 grade of JIS Axial play: 0.010 mm or less

Easy stroke setting

- Flexible stroke setting with fixed-simple support by means of mounting support unit (simple support side) directly to ball screw thread outside diameter.
- Since corner cutting is not necessary, customers can cut ball screws, which results in reduced cost and lead time.
- If necessary, NSK can cut shaft if requested. Contact NSK for more information.

Precautions

- During the cutting process, be careful not to let metal particles or burrs fall inside the ball nut.
- Customers are also advised to treat the cut surface.
- When inserting the support unit (simple support side), apply oil or grease on the outside of the shaft and inside the bearing.

Shaft end support

Fixed side: The low-profile support units compatible for compact FA PSS type are available.
Simple side: Proprietary support units are available.



Design precautions

Permissible rotational speed varies when using cut screw shaft. To determine permissible rotational speed, calculate two items below. Use smaller number to determine permissible rotational speed.

- Critical speed which is the resonance vibration of the shaft. (Refer to the technical description of the catalog "Precision Machine Components".)
- Maximum rotational speed 5 000 min⁻¹

Combinations of shaft diameter, lead and shaft length

Shaft dia.	Lead	Overall shaft length					Page	Recommended support unit	
		400	500	600	900	1 000		1 450	Fixed
12	10	•		•	•		38-39	WBK08-01B	WBK12SF-01B
15	10		•			•	40-41	WBK12-01B	WBK15SF-01B
	20		•			•			
20	10			•		•	42-43	WBK15-01B	WBK20SF-01B
	20			•		•			
25	10			•		•	44-45	WBK20-01	WBK25SF-01
	20			•		•			
	25			•		•			

Reference number

FSS COMPACT FA FSS TYPE	15 SCREW SHAFT DIAMETER (MM)	10 LEAD (MM)	N1D NSK CONTROL NUMBER	1000 SCREW SHAFT LENGTH (MM)
-----------------------------------	--	------------------------	----------------------------------	--

Precautions

Design

- (1) If the left shaft end of a ball screw (opposite driven side) is the shape I, and is supported with the "fixed-fixed" supporting method, you should be aware that the operating life of support bearings may drop due to thermal expansion of the screw shaft, depending on usage conditions. In this case, you should consider a structure that can absorb thermal expansion of the screw shaft if necessary. Please consult NSK for detailed examination.
- (2) For general precautions concerning ball screws, please see NSK Catalog No. E3162 "Precision Machine Components."

Usage and handling

Ball screws are precision products and should be treated as follows:

Lubrication

- (1) Compact FA Series ball screws are packed and coated with lubrication grease at the factory, and require no further lubrication under ordinary circumstances. If the surface of the grease becomes contaminated with dirt or metal powder under operation, clean it with white kerosene and replenish with new grease of the same kind through the oil hole (grease fitting) on the ball nut. Avoid mixing different types of grease.
- (2) Lubricant should be checked after the first 2 to 3 months of operation. If excessively dirty, we recommend you wipe away the old grease and replenish with a generous quantity of grease. After that, grease should be checked and replenished once a year under ordinary circumstances, but the period may vary depending upon the service environment.



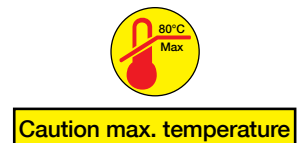
Handling

- (1) Never disassemble the ball screw, otherwise dirt may contaminate the inside of the unit and affect precision or result in equipment failure.
- (2) Compact FA Series ball screws incorporate a new ball re-circulation system. Consequently, only NSK authorized plants should conduct disassembly and reassembly. If the nut accidentally comes off the screw shaft or is dropped, contact NSK. We can perform inspection and repair if needed.
- (3) When the ball screw is erected upright, the screw shaft or nut could fall by force of its own weight and result in injury. If dropped, the ball grooves could be dented or re-circulation parts damaged, resulting in loss of function. This would require the ball screw to be inspected by NSK. If so, be sure to send the ball screw to NSK and we will check it for a fee.



Usage

- (1) Ball screws should be used in a clean environment. The ball screws should be installed with a dust cover to prevent the entry of debris such as dust and metal powder. If foreign matter is allowed to contaminate the ball screw, this could not only cause the ball screw to lose some of its function, but also result in clogging and damaging the re-circulation system parts, or cause the table to fall or a similar serious accident.
- (2) Compact FA Series ball screws are designed to be used in a service temperature environment of 80°C or lower. Do not allow the service temperature limit to be exceeded. In some cases, using ball screws in temperatures above 80°C might lead to damage of re-circulation system parts or seal parts. Contact NSK if 80°C must be exceeded.

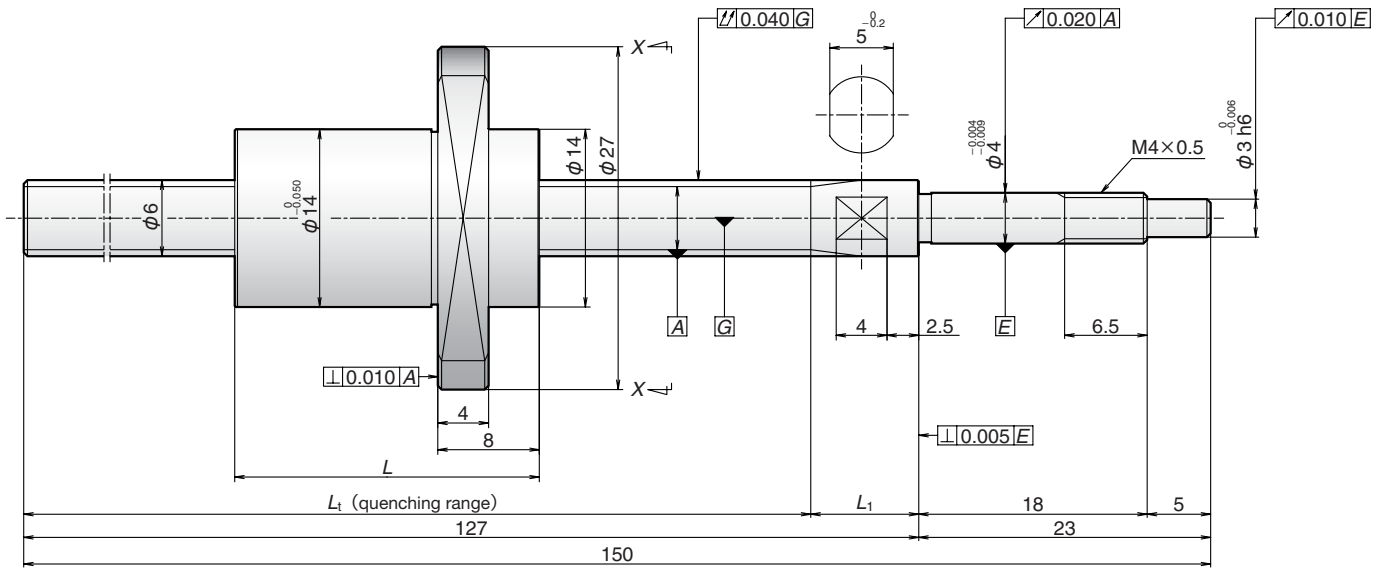


Compact FA Series options

Consult with NSK for information regarding shaft end machining, reversing ball nut direction and other options.

Compact FA Series

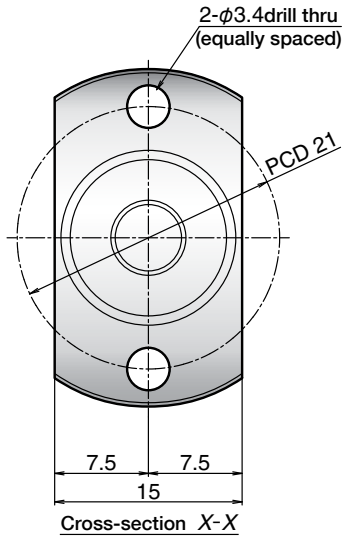
Screw shaft diameter 6 mm, Lead 8 and 12 mm



Reference no.	Screw shaft dia. d	Lead ℓ	Effective turns of balls	Basic load ratings (N)		Stroke max.	Nut length L	Screw shaft dimensions	
				Dynamic C_a	Static C_{0a}			L_1	L_2
PSS0608NAD0150	6	8	2	550	715	97.5	16	118.5	8.5
PSS0608NBD0150			4	1 180	1 760	89.5	24	118.5	8.5
PSS0612NAD0150		12	2	550	715	92.0	20	117.0	10.0
PSS0612NBD0150			4	1 180	1 760	80.0	32	117.0	10.0

Notes 1. Contact NSK if permissible rotational speed is to be exceeded.

PSS Type for General Use



Unit : mm

Ball screw specification	
Ball dia./screw shaft root dia.	1.2 / 4.9
Ball circle dia.	6.2
Accuracy grade/axial play	C5 / 0.005 mm or less
Factory-packed grease	NSK grease PS2

Recommended support unit

For drive side (Fixed)	
WBK04-01M (square)	P 46-47
WBK04-11M (round)	P 48-49

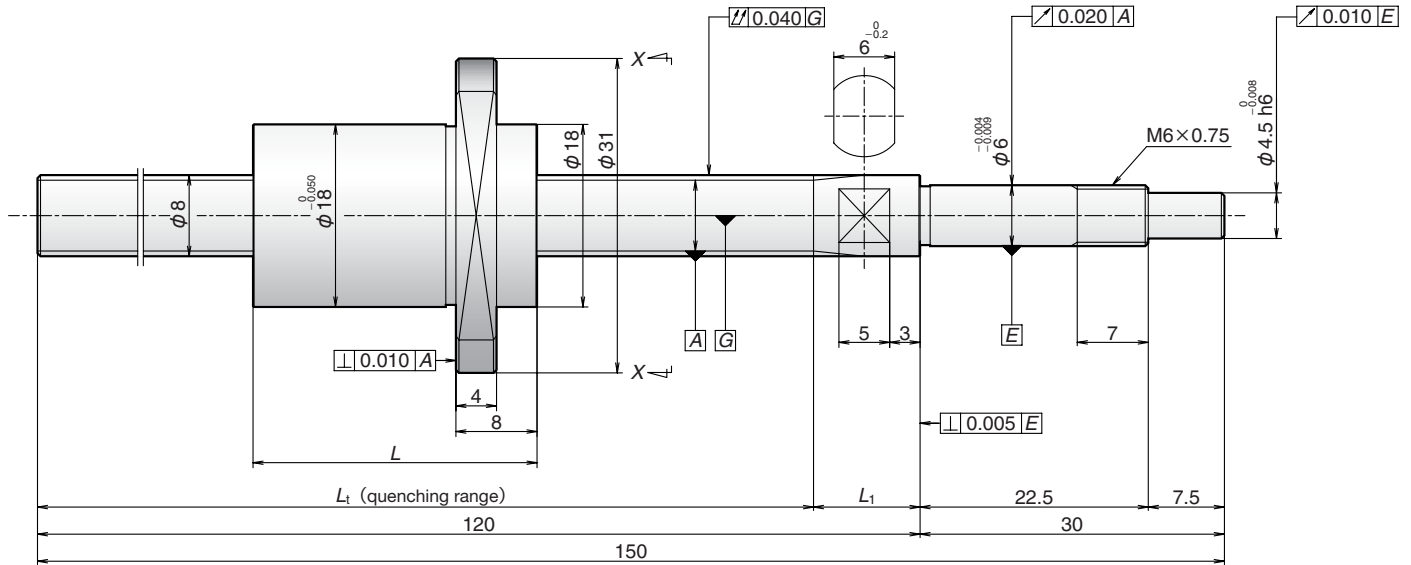
Unit : mm

Target value T	Lead accuracy		Dynamic preload torque (N·cm)	Mass (kg)	Permissible rotational speed (min ⁻¹)	Internal spatial volume of nut (cm ³)	Standard volume of grease replenishing (cm ³)
	Error e _p	Variation V _u					
0	20	18	0.5 or less	0.06	5 000	0.2	0.1
				0.06		0.3	0.2
				0.06		0.2	0.1
				0.07		0.3	0.2

2. Service temperature range is 0 to 80°C.
3. Use of NSK support unit is recommended. Refer to pages 46 to 49 for details.

Compact FA Series

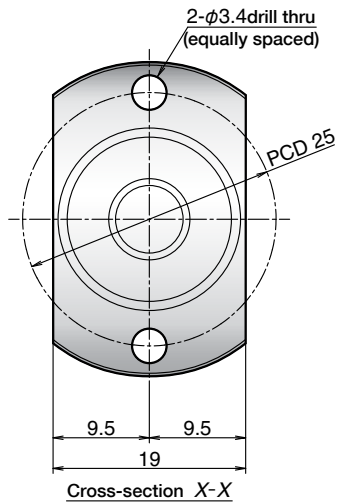
Screw shaft diameter 8 mm, Lead 10 and 15 mm



Reference no.	Screw shaft dia. d	Lead ℓ	Effective turns of balls	Basic load ratings (N)		Stroke max.	Nut length L	Screw shaft dimensions	
				Dynamic C_a	Static C_{0a}			L_1	L_2
				PSS0810NAD0150	8				
PSS0810NBD0150	4	1 950	3 080	76.5		28	109.5	10.5	
PSS0815NAD0150	8	15	2	910	1 260	80.0	22	107.0	13.0
PSS0815NBD0150			4	1 950	3 080	65.0	37	107.0	13.0

Notes 1. Contact NSK if permissible rotational speed is to be exceeded.

PSS Type for General Use



Unit : mm

Ball screw specification	
Ball dia./screw shaft root dia.	1.588 / 6.6
Ball circle dia.	8.3
Accuracy grade/axial play	C5 / 0.005 mm or less
Factory-packed grease	NSK grease PS2

Recommended support unit

For drive side (Fixed)	
WBK06-01M (square)	P 46-47
WBK06-11M (round)	P 48-49

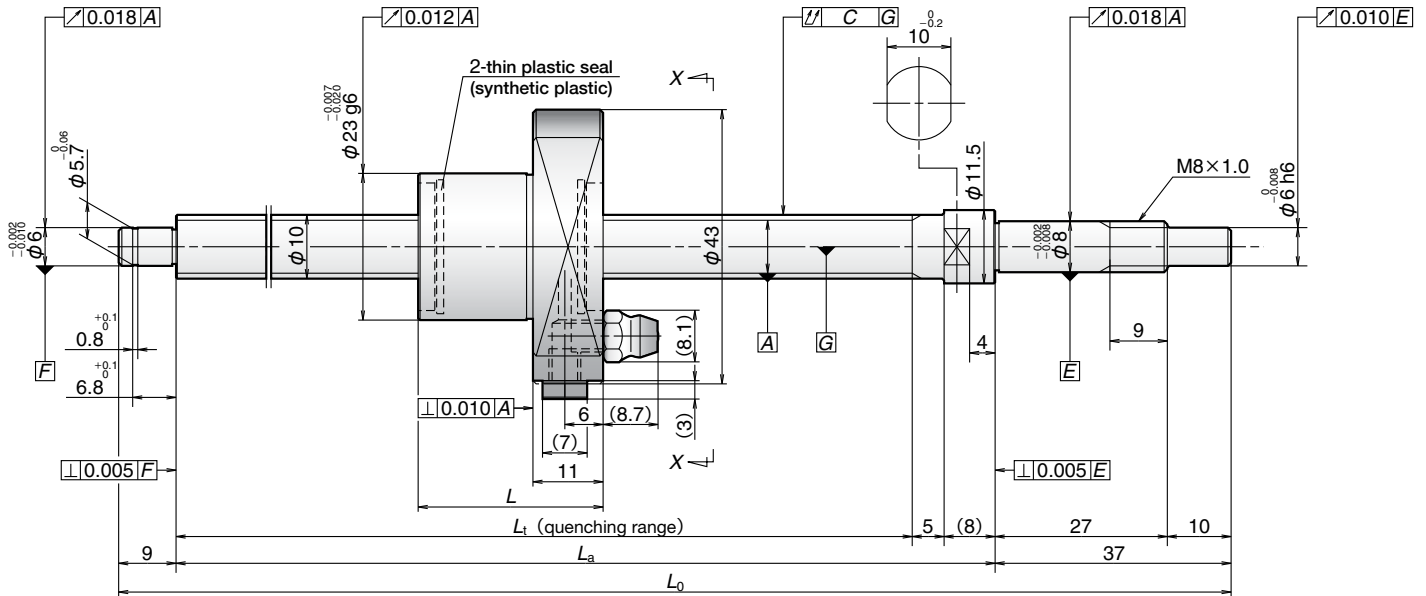
Unit : mm

Target value T	Lead accuracy		Dynamic preload torque (N·cm)	Mass (kg)	Permissible rotational speed (min ⁻¹)	Internal spatial volume of nut (cm ³)	Standard volume of grease replenishing (cm ³)
	Error e _p	Variation V _u					
0	20	18	0.5 or less	0.09	5 000	0.4	0.2
				0.11		0.5	0.3
				0.10		0.4	0.2
				0.12		0.6	0.3

- Service temperature range is 0 to 80°C.
- Use of NSK support unit is recommended. Refer to pages 46 to 49 for details.

Compact FA Series

Screw shaft diameter 10 mm, Lead 5 and 10 mm

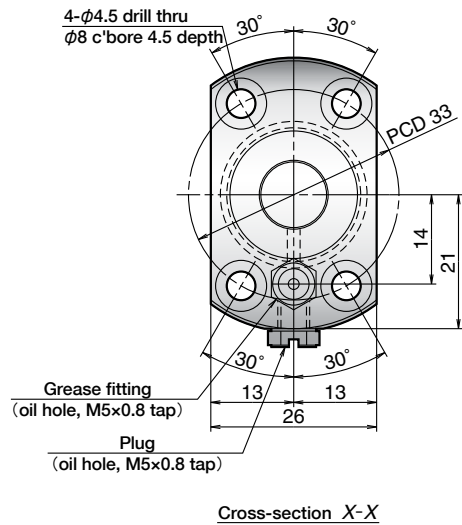


Reference no.	Screw shaft dia. d	Lead ℓ	Basic load ratings (N)		Stroke		Nut length L	Screw shaft dimensions		
			Dynamic C _a	Static C _{0a}	Nominal	Max. L ₁ -L		L ₁	L _a	L ₀
PSS1005N1D0171	10	5	2 930	4 790	50	83	29	112	125	171
PSS1005N1D0221					100	133		162	175	221
PSS1005N1D0321					200	233		262	275	321
PSS1005N1D0421					300	333		362	375	421
PSS1005N1D0521					400	433		462	475	521
PSS1010N1D0221	10	10	1 970	3 010	100	130	32	162	175	221
PSS1010N1D0321					200	230		262	275	321
PSS1010N1D0421					300	330		362	375	421
PSS1010N1D0521					400	430		462	475	521

- Notes
1. Indicates ball screw preload control value. Approximately 2.0 N•cm of torque is added due to thin plastic seals.
 2. Contact NSK if permissible rotational speed is to be exceeded.

PSS Type for General Use

Unit : mm



Ball screw specification	
Preload type	Oversize ball (P-preload)
Ball dia./screw shaft root dia.	2.000 / 8.2
Ball circle dia.	10.3
Accuracy grade/axial play	C5 / 0
Factory-packed grease	NSK grease PS2

Recommended support unit

For drive side (Fixed)		For opposite to drive side (Simple)	
WBK08-01B (square, low)	P 46-47	WBK08S-01B (square, low)	P 50-51
WBK08-11 (round)	P 48-49	-	-
WBK08-11B (round, high-load)	P 48-49	-	-

Unit : mm

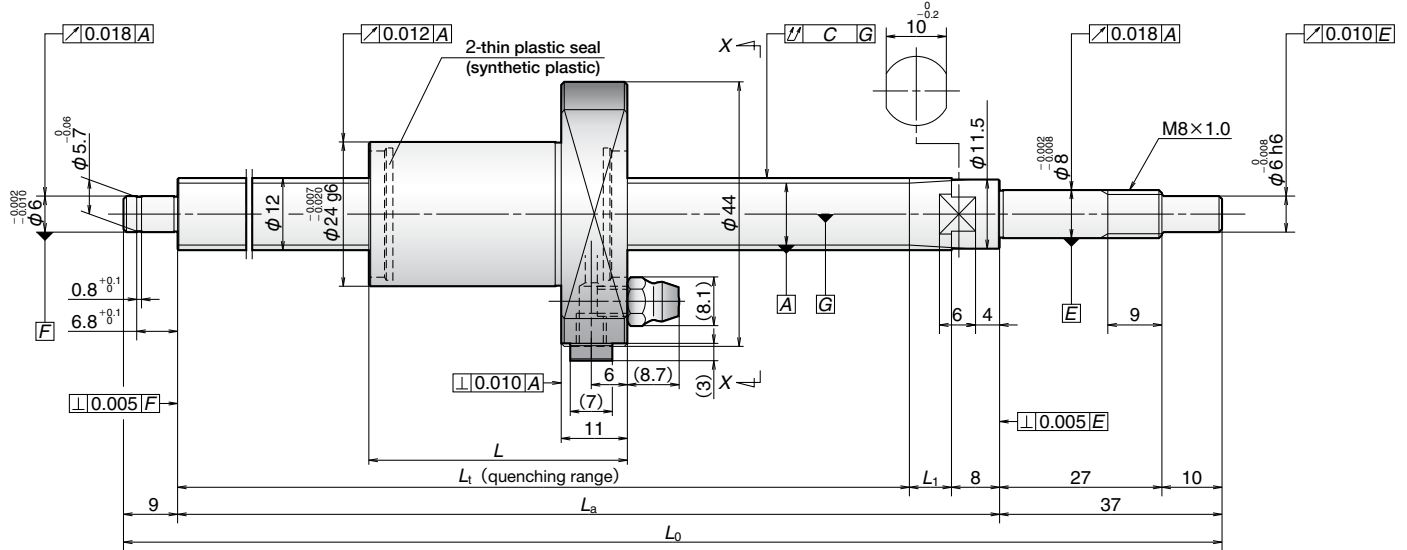
Target value T	Lead accuracy		Shaft run-out C	Dynamic preload torque (N·cm) ⁻¹	Mass (kg)	Permissible rotational speed (min ⁻¹) ²	Internal spatial volume of nut (cm ³)	Standard volume of grease replenishing (cm ³)
	Error e _p	Variation V _u				Fixed-simple		
0	0.020	0.018	0.030	0.7 to 3.3	0.3	5 000	0.8	0.4
	0.020	0.018	0.045	0.7 to 3.3	0.3			
	0.023	0.018	0.060	0.6 to 4.3	0.3			
	0.025	0.020	0.070	0.6 to 4.3	0.4			
	0.027	0.020	0.085	0.4 to 4.9	0.5		0.7	
	0.020	0.018	0.045	0.7 to 3.3	0.3			
	0.023	0.018	0.060	0.6 to 4.3	0.4			
	0.025	0.020	0.070	0.6 to 4.3	0.4			
0.027	0.020	0.0850	0.4 to 4.9	0.5				

3. Service temperature range is 0 to 80°C.

4. Use of NSK support unit is recommended. Refer to pages 46 to 51 for details.

Compact FA Series

Screw shaft diameter 12 mm, Lead 5, 10, 20 and 30 mm

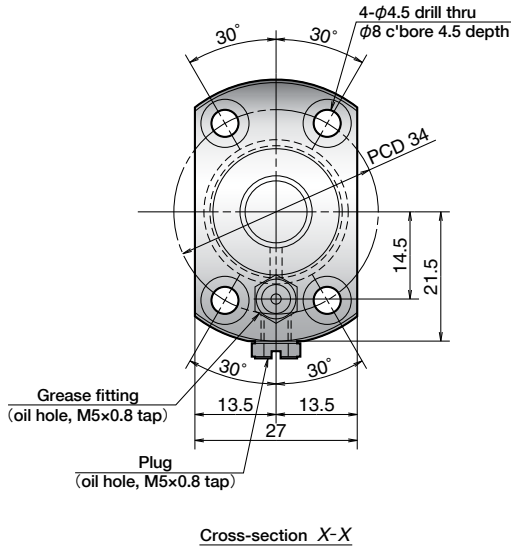


Reference no.	Screw shaft dia. d	Lead l	Basic load ratings (N)		Stroke		Nut length L	Screw shaft dimensions			
			Dynamic Ca	Static C0a	Nominal	Max. L1-L		L1	La	L0	L1
PSS1205N1D0171	12	5	3 200	5 860	50	80	30	110	125	171	7
PSS1205N1D0221					100	130		160	175	221	
PSS1205N1D0321					200	230		260	275	321	
PSS1205N1D0421					300	330		360	375	421	
PSS1205N1D0521					400	430		460	475	521	
PSS1205N1D0621					500	530		560	575	621	
PSS1210N1D0221	12	10	3 200	5 860	100	117	43	160	175	221	7
PSS1210N1D0321					200	217		260	275	321	
PSS1210N1D0421					300	317		360	375	421	
PSS1210N1D0521					400	417		460	475	521	
PSS1210N1D0621					500	517		560	575	621	
PSS1220N1D0271	12	20	2 150	3 610	100	158	50	208	225	271	9
PSS1220N1D0371					200	258		308	325	371	
PSS1220N1D0471					300	358		408	425	471	
PSS1220N1D0571					400	458		508	525	571	
PSS1220N1D0671					500	558		608	625	671	
PSS1230N1D0271	12	30	2 150	3 610	100	133	70	203	225	271	14
PSS1230N1D0371					200	233		303	325	371	
PSS1230N1D0471					300	333		403	425	471	
PSS1230N1D0571					400	433		503	525	571	
PSS1230N1D0671					500	533		603	625	671	

- Notes
1. Indicates ball screw preload control value. Approximately 2.0 N•cm of torque is added due to thin plastic seals.
 2. Contact NSK if permissible rotational speed is to be exceeded.

PSS Type for General Use

Unit : mm



Ball screw specification	
Preload type	Oversize ball (P-preload)
Ball dia./screw shaft root dia.	2.000 / 10.2
Ball circle dia.	12.3
Accuracy grade/axial play	C5 / 0
Factory-packed grease	NSK grease PS2

Recommended support unit

For drive side (Fixed)		For opposite to drive side (Simple)	
WBK08-01B (square, low)	P 46-47	WBK08S-01B (square, low)	P 50-51
WBK08-11 (round)	P 48-49	-	-
WBK08-11B (round, high-load)	P 48-49	-	-

Unit : mm

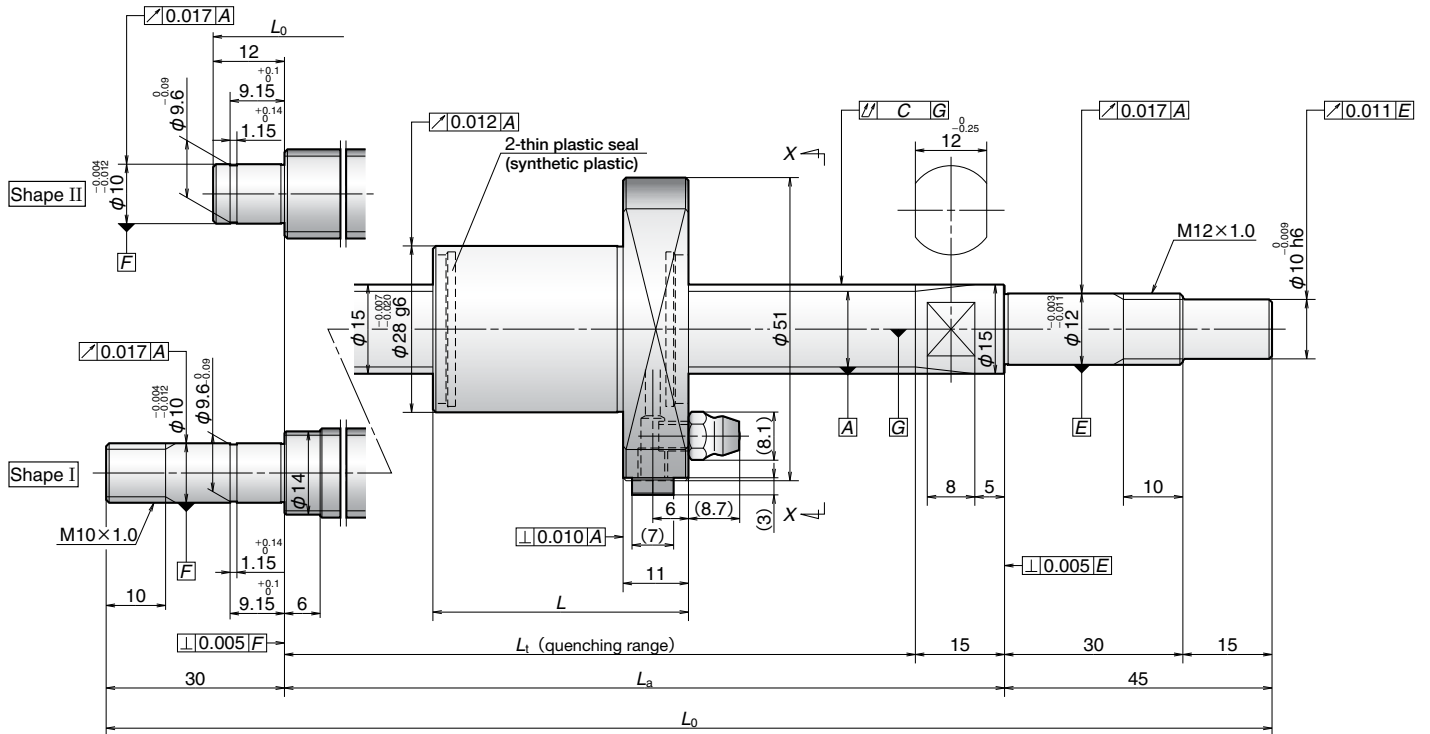
Target value T	Lead accuracy		Shaft run-out C	Dynamic preload torque (N·cm) ⁻¹	Mass (kg)	Permissible rotational speed (min ⁻¹) ²	Internal spatial volume of nut (cm ³)	Standard volume of grease replenishing (cm ³)
	Error e _p	Variation V ₀				Fixed-simple		
0	0.020	0.018	0.030	0.7 to 3.3	0.3	5 000	1.0	0.5
	0.020	0.018	0.045	0.7 to 3.3	0.3			
	0.023	0.018	0.060	0.6 to 4.3	0.4			
	0.025	0.020	0.070	0.6 to 4.3	0.5			
	0.027	0.020	0.085	0.6 to 4.3	0.6			
	0.030	0.023	0.085	0.4 to 4.9	0.7			
	0.020	0.018	0.045	0.7 to 3.3	0.4	5 000	1.0	0.5
	0.023	0.018	0.060	0.6 to 4.3	0.5			
	0.025	0.020	0.070	0.6 to 4.3	0.5			
	0.027	0.020	0.085	0.6 to 4.3	0.6			
	0.030	0.023	0.085	0.4 to 4.9	0.7			
	0.023	0.018	0.045	1.4 to 4.5	0.4			
	0.023	0.018	0.060	0.9 to 4.9	0.5			
	0.027	0.020	0.070	0.9 to 4.9	0.6			
	0.030	0.023	0.085	0.6 to 5.9	0.7			
	0.030	0.023	0.110	0.6 to 5.9	0.8	4 200	1.5	0.8
	0.023	0.018	0.045	1.4 to 4.5	0.5	5 000		
	0.023	0.018	0.060	0.9 to 4.9	0.6			
	0.027	0.020	0.070	0.9 to 4.9	0.7			
	0.030	0.023	0.085	0.6 to 5.9	0.7			
0.030	0.023	0.110	0.6 to 5.9	0.8	4 300			

3. Service temperature range is 0 to 80°C.

4. Use of NSK support unit is recommended. Refer to pages 46 to 51 for details.

Compact FA Series

Screw shaft diameter 15 mm, Lead 5 and 10 mm

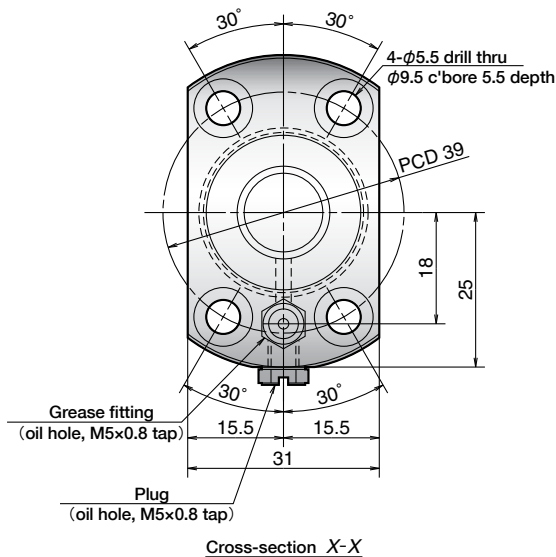


Reference no.	Screw shaft dia. d	Lead ℓ	Basic load ratings (N)		Stroke		Nut length L	Screw shaft dimensions						
			Dynamic C_a	Static C_{0a}	Nominal	Max. L_t-L		L_t	L_a	L_0				
PSS1505N1D0211	15	5	5 460	10 200	50	109	30	139	154	211				
PSS1505N1D0261					100	159		189	204	261				
PSS1505N1D0361					200	259		289	304	361				
PSS1505N1D0461					300	359		389	404	461				
PSS1505N1D0561					400	459		489	504	561				
PSS1505N1D0661		500			559	589		604	661					
PSS1505N1D0761		600			659	689		704	761					
PSS1510N1D0261		10			10	5 460		10 200	100	146	43	189	204	261
PSS1510N1D0361									200	246		289	304	361
PSS1510N1D0461									300	346		389	404	461
PSS1510N1D0561	400		446	489			504		561					
PSS1510N1D0661	500		546	589			604		661					
PSS1510N1D0761	600		646	689			704		761					
PSS1510N1D0879	700		746	789			804		879					
PSS1510N1D0979	800		846	889			904		979					
PSS1510N1D1179	1 000		1 046	1 089			1 104		1 179					

Notes 1. Indicates ball screw preload control value. Approximately 2.0 N•cm of torque is added due to thin plastic seals.
2. Contact NSK if permissible rotational speed is to be exceeded.

PSS Type for General Use

Unit : mm



Ball screw specification	
Preload type	Oversize ball (P-preload)
Ball dia./screw shaft root dia.	2.778 / 12.6
Ball circle dia.	15.5
Accuracy grade/axial play	C5 / 0
Factory-packed grease	NSK grease LR3

Recommended support unit

For drive side (Fixed)	For opposite to drive side	
	(Fixed)	(Simple)
WBK12-01B (square, low) P 46-47	WBK10-01B (square, low) P 46-47	WBK12S-01B (square, low) P 50-51
WBK12-11 (round) P 48-49	WBK10-11 (round) P 48-49	-

Unit : mm

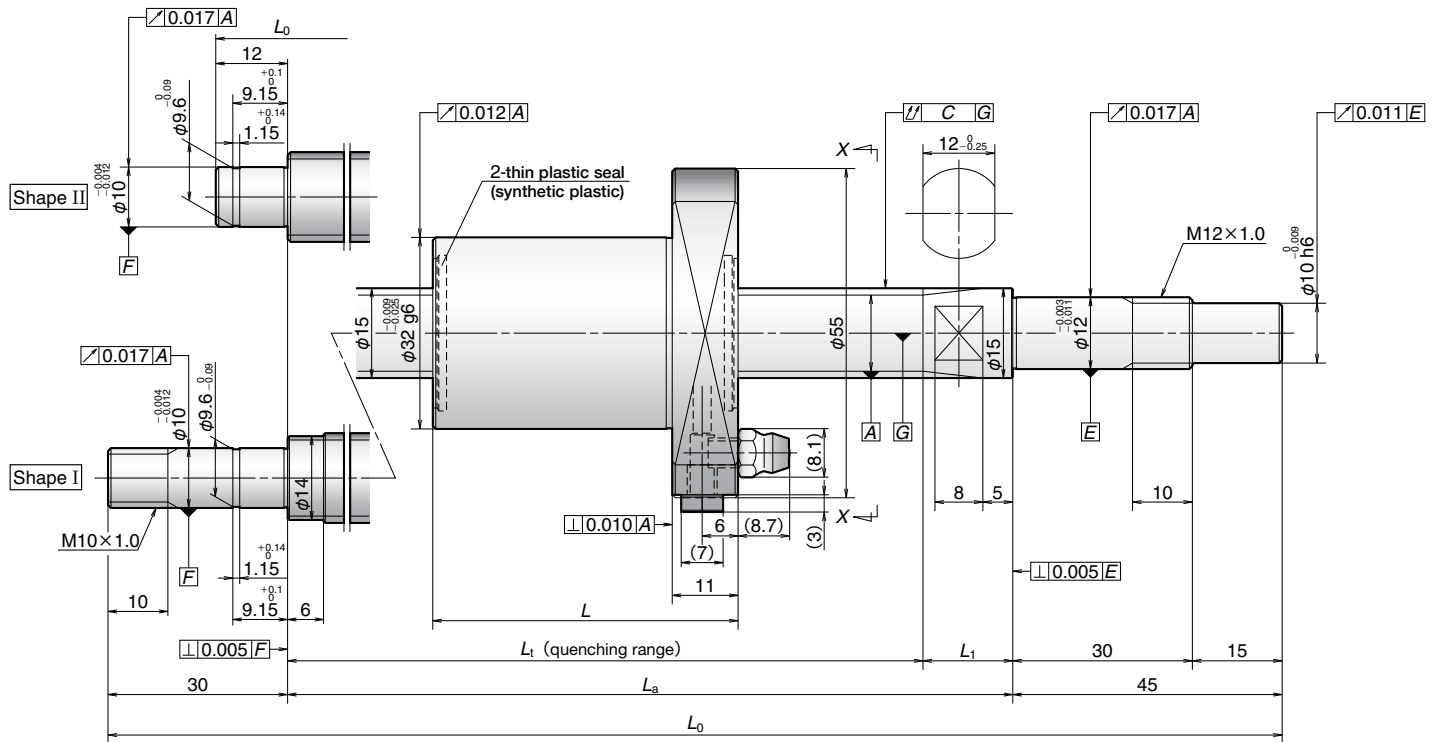
Left shaft end (opposite driven side)	Lead accuracy			Shaft run-out C	Dynamic preload torque (N·cm) ¹	Mass (kg)	Permissible rotational speed (min ⁻¹) ²		Internal spatial volume of nut (cm ³)	Standard volume of grease replenishing (cm ³)
	Target value T	Error e _p	Variation V _u				Fixed-simple	Fixed-Fixed		
II	0	0.020	0.018	0.035	0.2 to 6.9	0.5	5 000	-	2.0	1.0
		0.020	0.018	0.035	0.2 to 6.9	0.5				
		0.023	0.018	0.045	0.2 to 6.9	0.6				
		0.025	0.020	0.050	0.4 to 9.8	0.8				
		0.027	0.020	0.060	0.4 to 9.8	0.9				
		0.030	0.023	0.075	0.4 to 9.8	1.0				
II	0	0.035	0.025	0.075	0.4 to 11.8	1.1	3 600	-	2.0	1.0
		0.020	0.018	0.035	0.6 to 7.4	0.6	5 000			
		0.023	0.018	0.045	0.6 to 7.4	0.7				
		0.025	0.020	0.050	0.4 to 9.8	0.8				
		0.027	0.020	0.060	0.4 to 9.8	1.0				
		0.030	0.023	0.075	0.4 to 9.8	1.1				
I	0	0.035	0.025	0.095	0.4 to 11.8	1.4		2 700	3 400	2.0
		0.040	0.027	0.095	0.4 to 11.8	1.5	2 200	3 400		
		0.046	0.03	0.120	0.4 to 11.8	1.7	1 400	2 300		

3. Service temperature range is 0 to 80°C.

4. Use of NSK support unit is recommended. Refer to pages 46 to 51 for details.

Compact FA Series

Screw shaft diameter 15 mm, Lead 20 and 30 mm

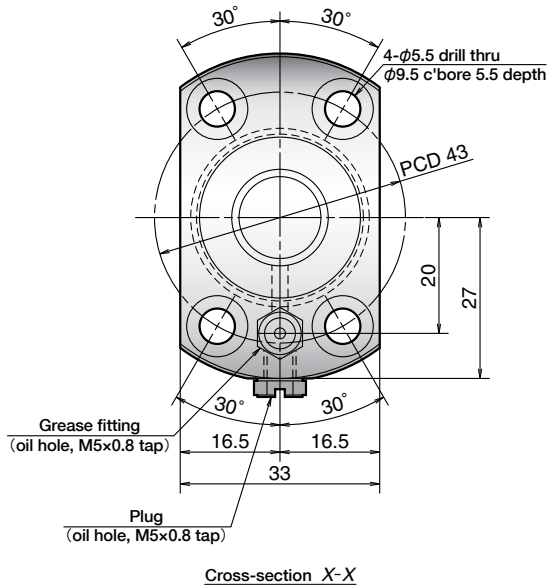


Reference no.	Screw shaft dia. d	Lead ℓ	Basic load ratings (N)		Stroke		Nut length L	Screw shaft dimensions			
			Dynamic C _a	Static C _{0a}	Nominal	Max. L ₁ -L		L ₁	L _a	L ₀	L ₁
PSS1520N1D0261	15	20	5 070	8 730	100	135	51	186	204	261	18
PSS1520N1D0361					200	235		286	304	361	
PSS1520N1D0461					300	335		386	404	461	
PSS1520N1D0561					400	435		486	504	561	
PSS1520N1D0661					500	535		586	604	661	
PSS1520N1D0761					600	635		686	704	761	
PSS1520N1D0879					700	735		786	804	879	
PSS1520N1D0979					800	835		886	904	979	
PSS1520N1D1179					1 000	1 035		1 086	1 104	1 179	
PSS1530N1D0311					30	30		5 070	8 730	100	
PSS1530N1D0411	200	259	330	354			411				
PSS1530N1D0511	300	359	430	454			511				
PSS1530N1D0611	400	459	530	554			611				
PSS1530N1D0711	500	559	630	654			711				
PSS1530N1D0811	600	659	730	754			811				
PSS1530N1D0929	700	759	830	854			929				
PSS1530N1D1029	800	859	930	954			1 029				
PSS1530N1D1229	1 000	1 059	1 130	1 154			1 229				

Notes 1. Indicates ball screw preload control value. Approximately 2.0 N•cm of torque is added due to thin plastic seals.
2. Contact NSK if permissible rotational speed is to be exceeded.

PSS Type for General Use

Unit : mm



Ball screw specification

Preload type	Oversize ball (P-preload)
Ball dia./screw shaft root dia.	3.175 / 12.2
Ball circle dia.	15.5
Accuracy grade/axial play	C5 / 0
Factory-packed grease	NSK grease LR3

Recommended support unit

For drive side (Fixed)	For opposite to drive side	
	(Fixed)	(Simple)
WBK12-01B (square, low) P 46-47	WBK10-01B (square, low) P 46-47	WBK12S-01B (square, low) P 50-51
WBK12-11 (round) P 48-49	WBK10-11 (round) P 48-49	-

Unit : mm

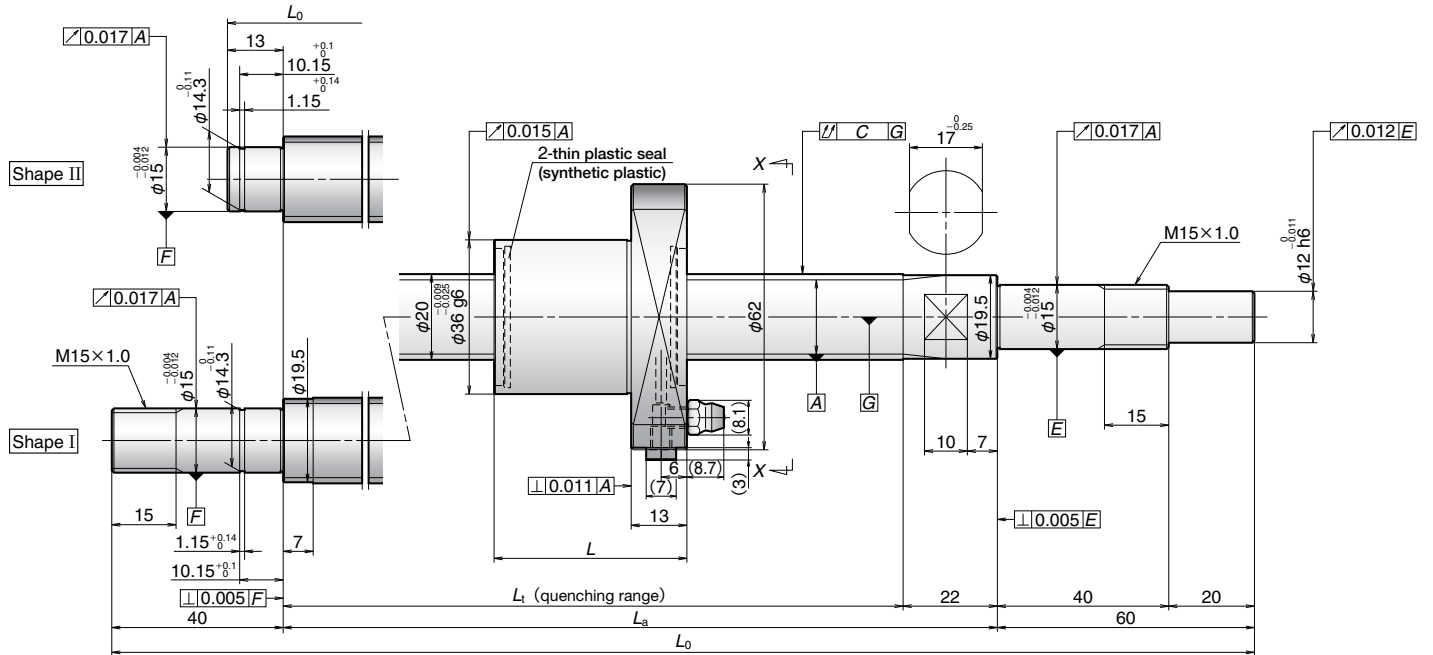
Left shaft end (opposite driven side)	Lead accuracy			Shaft run-out C	Dynamic preload torque (N·cm) ⁻¹	Mass (kg)	Permissible rotational speed (min ⁻¹) ²		Internal spatial volume of nut (cm ³)	Standard volume of grease replenishing (cm ³)	
	Target value T	Error e _p	Variation V _u				Fixed-simple	Fixed-Fixed			
II	0	0.020	0.018	0.035	0.8 to 8.8	0.7	5 000	-	2.8	1.4	
		0.023	0.018	0.045	0.8 to 8.8	0.8					
		0.025	0.020	0.050	0.8 to 10.8	0.9					
		0.027	0.020	0.060	0.8 to 10.8	1.1					
		0.030	0.023	0.075	0.8 to 10.8	1.2					
		0.035	0.025	0.075	0.8 to 13.8	1.3					
I		0.035	0.025	0.095	0.8 to 13.8	1.5	2 900	4 200	3.4	1.7	
		0.040	0.027	0.095	0.8 to 13.8	1.6	2 200	3 300			
		0.046	0.030	0.120	0.8 to 13.8	1.9	1 500	2 200			
II		0.023	0.018	0.035	1.2 to 9.3	0.8	5 000	-	3.4	1.7	
		0.025	0.020	0.050	0.8 to 10.8	1.0					
		0.027	0.020	0.060	0.8 to 10.8	1.1					
	0.030	0.023	0.060	0.8 to 10.8	1.2						
	0.030	0.023	0.075	0.8 to 13.8	1.4	4 500					3 800
	0.035	0.025	0.095	0.8 to 13.8	1.5	3 300					
I	0.040	0.027	0.095	0.8 to 13.8	1.6	2 600	3 000				
	0.040	0.027	0.120	0.8 to 13.8	1.8	2 000	3 000				
	0.046	0.030	0.120	0.8 to 13.8	2.0	1 400	2 000				

3. Service temperature range is 0 to 80°C.

4. Use of NSK support unit is recommended. Refer to pages 46 to 51 for details.

Compact FA Series

Screw shaft diameter 20 mm, Lead 5 and 10 mm

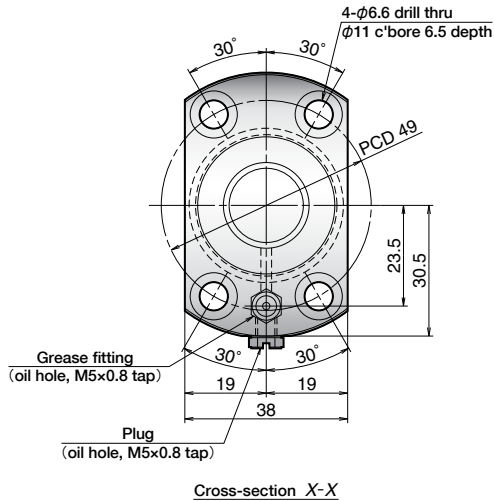


Reference no.	Screw shaft dia. d	Lead ℓ	Basic load ratings (N)		Stroke		Nut length L	Screw shaft dimensions							
			Dynamic C _a	Static C _{0a}	Nominal	Max. L ₁ -L		L ₁	L _a	L ₀					
PSS2005N1D0323	20	5	8 790	18 500	150	197	31	228	250	323					
PSS2005N1D0373					200	247		278	300	373					
PSS2005N1D0473					300	347		378	400	473					
PSS2005N1D0573					400	447		478	500	573					
PSS2005N1D0673					500	547		578	600	673					
PSS2005N1D0773					600	647		678	700	773					
PSS2005N1D0873					700	747		778	800	873					
PSS2005N1D1000					800	847		878	900	1000					
PSS2010N1D0387					10	10		8 790	18 500	200	247	45	292	314	387
PSS2010N1D0487										300	347		392	414	487
PSS2010N1D0587	400	447	492	514			587								
PSS2010N1D0687	500	547	592	614			687								
PSS2010N1D0787	600	647	692	714			787								
PSS2010N1D0887	700	747	792	814			887								
PSS2010N1D1014	800	847	892	914			1 014								
PSS2010N1D1214	1 000	1 047	1 092	1 114			1 214								
PSS2010N1D1414	1 200	1 247	1 292	1 314	1 414										

- Notes
1. Indicates ball screw preload control value. Approximately 2.0 N•cm of torque is added due to thin plastic seals.
 2. Contact NSK if permissible rotational speed is to be exceeded.

PSS Type for General Use

Unit : mm



Ball screw specification	
Preload type	Oversize ball (P-preload)
Ball dia./screw shaft root dia.	3.175 / 17.2
Ball circle dia.	20.5
Accuracy grade/axial play	C5 / 0
Factory-packed grease	NSK grease LR3

Recommended support unit

For drive side (Fixed)	For opposite to drive side	
	(Fixed)	(Simple)
WBK15-01B (square, low) P 46-47	WBK15-01B (square, low) P 46-47	WBK15S-01B (square, low) P 50
WBK15-11 (round) P 48-49	WBK15-11 (round) P 48-49	-

Unit : mm

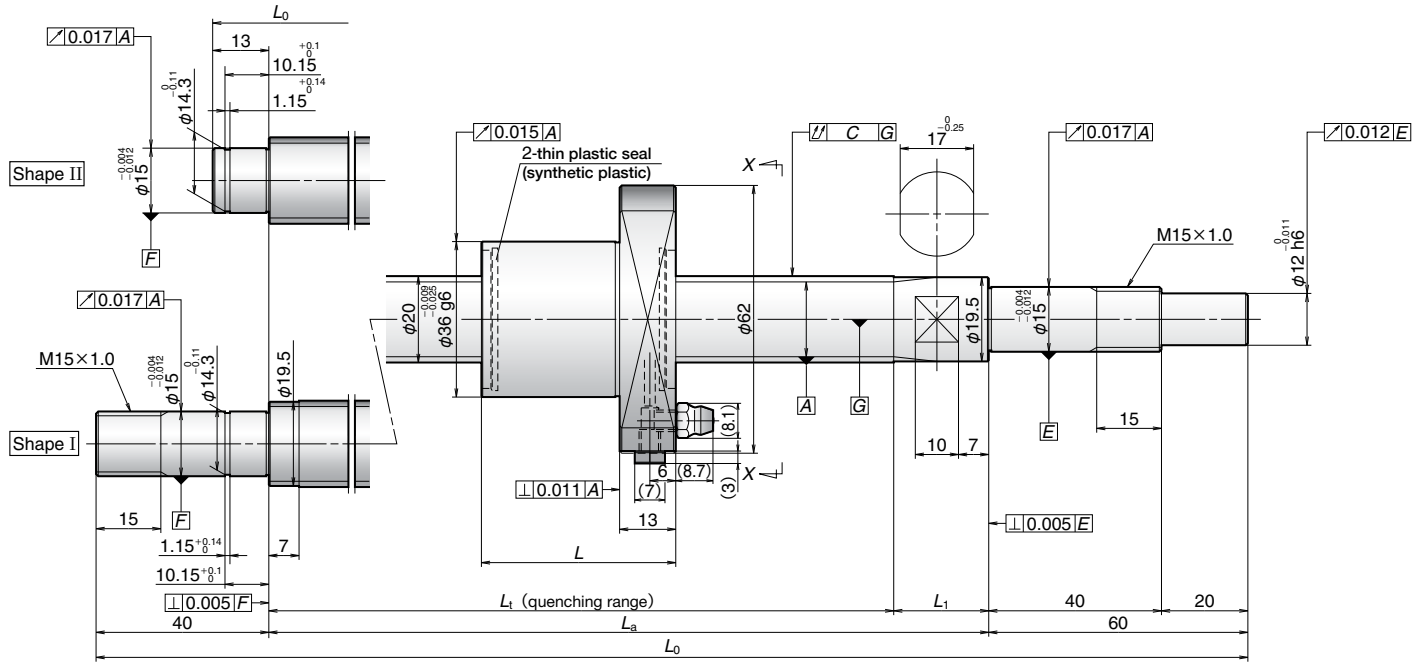
Left shaft end (opposite driven side)	Lead accuracy			Shaft run-out C	Dynamic preload torque (N·cm) ¹	Mass (kg)	Permissible rotational speed (min ⁻¹) ²		Internal spatial volume of nut (cm ³)	Standard volume of grease replenishing (cm ³)	
	Target value T	Error e _p	Variation V _a				Fixed-simple	Fixed-Fixed			
II	0	0.023	0.018	0.045	0.6 to 7.4	1.0	5 000	-	3.4	1.7	
		0.023	0.018	0.045	0.6 to 7.4	1.1					
		0.025	0.020	0.050	0.6 to 7.4	1.3					
		0.027	0.020	0.060	0.4 to 9.8	1.5					
		0.030	0.023	0.075	0.4 to 9.8	1.7					
		0.035	0.025	0.075	0.4 to 9.8	1.9					
I		0.035	0.025	0.095	0.4 to 9.8	2.2	4 000	4 700	3.4	1.7	
		0.040	0.027	0.095	0.4 to 11.8	2.4	3 200				
II		0	0.023	0.018	0.045	1.2 to 9.3	1.2	5 000	-	3.2	1.6
			0.025	0.020	0.050	1.2 to 9.3	1.4				
			0.027	0.020	0.060	0.8 to 10.8	1.7				
			0.030	0.023	0.075	0.8 to 10.8	1.9				
	0.035		0.025	0.075	0.8 to 10.8	2.1					
I	0.035		0.025	0.095	0.8 to 10.8	2.4	4 000	4 600	3.2	1.6	
	0.040		0.027	0.120	0.8 to 13.8	2.6	3 100				
	0.046		0.030	0.120	0.8 to 13.8	3.1	2 100				3 100
	0.054		0.035	0.160	0.8 to 13.8	3.6	1 500				2 200

3. Service temperature range is 0 to 80°C.

4. Use of NSK support unit is recommended. Refer to pages 46 to 51 for details.

Compact FA Series

Screw shaft diameter 20 mm, Lead 20 and 30 mm

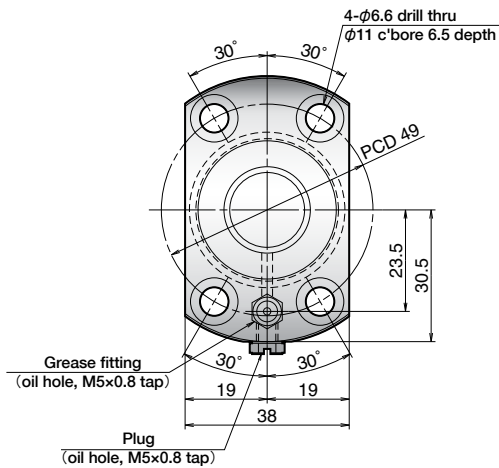


Reference no.	Screw shaft dia. d	Lead ℓ	Basic load ratings (N)		Stroke		Nut length L	Screw shaft dimensions									
			Dynamic C _a	Static C _{0a}	Nominal	Max. L _i -L		L ₁	L _a	L ₀	L _i						
PSS2020N1D0508	20	20	5 900	11 700	300	359	54	413	435	508	22						
PSS2020N1D0608					400	459		513	535	608							
PSS2020N1D0708					500	559		613	635	708							
PSS2020N1D0808					600	659		713	735	808							
PSS2020N1D0908					700	759		813	835	908							
PSS2020N1D1035					800	859		913	935	1 035							
PSS2020N1D1235					1 000	1 059		1 113	1 135	1 235							
PSS2020N1D1435					1 200	1 259		1 313	1 335	1 435							
PSS2020N1D1835					1 600	1 659		1 713	1 735	1 835							
PSS2030N1D0408					30	30		5 900	11 700	200		234	74	308	335	408	27
PSS2030N1D0508										300		334		408	435	508	
PSS2030N1D0608										400		434		508	535	608	
PSS2030N1D0708										500		534		608	635	708	
PSS2030N1D0808										600		634		708	735	808	
PSS2030N1D0908	700	734	808	835			908										
PSS2030N1D1035	800	834	908	935			1 035										
PSS2030N1D1235	1 000	1 034	1 108	1 135			1 235										
PSS2030N1D1435	1 200	1 234	1 308	1 335			1 435										

Notes 1. Indicates ball screw preload control value. Approximately 2.0 N•cm of torque is added due to thin plastic seals.
2. Contact NSK if permissible rotational speed is to be exceeded.

PSS Type for General Use

Unit : mm



Cross-section X-X

Ball screw specification

Preload type	Oversize ball (P-preload)
Ball dia./screw shaft root dia.	3.175 / 17.2
Ball circle dia.	20.5
Accuracy grade/axial play	C5 / 0
Factory-packed grease	NSK grease LR3

Recommended support unit

For drive side (Fixed)	For opposite to drive side	
	(Fixed)	(Simple)
WBK15-01B (square, low) P 46-47	WBK15-01B (square, low) P 46-47	WBK15S-01B (square, low) P 50-51
WBK15-11 (round) P 48-49	WBK15-11 (round) P 48-49	-

Unit : mm

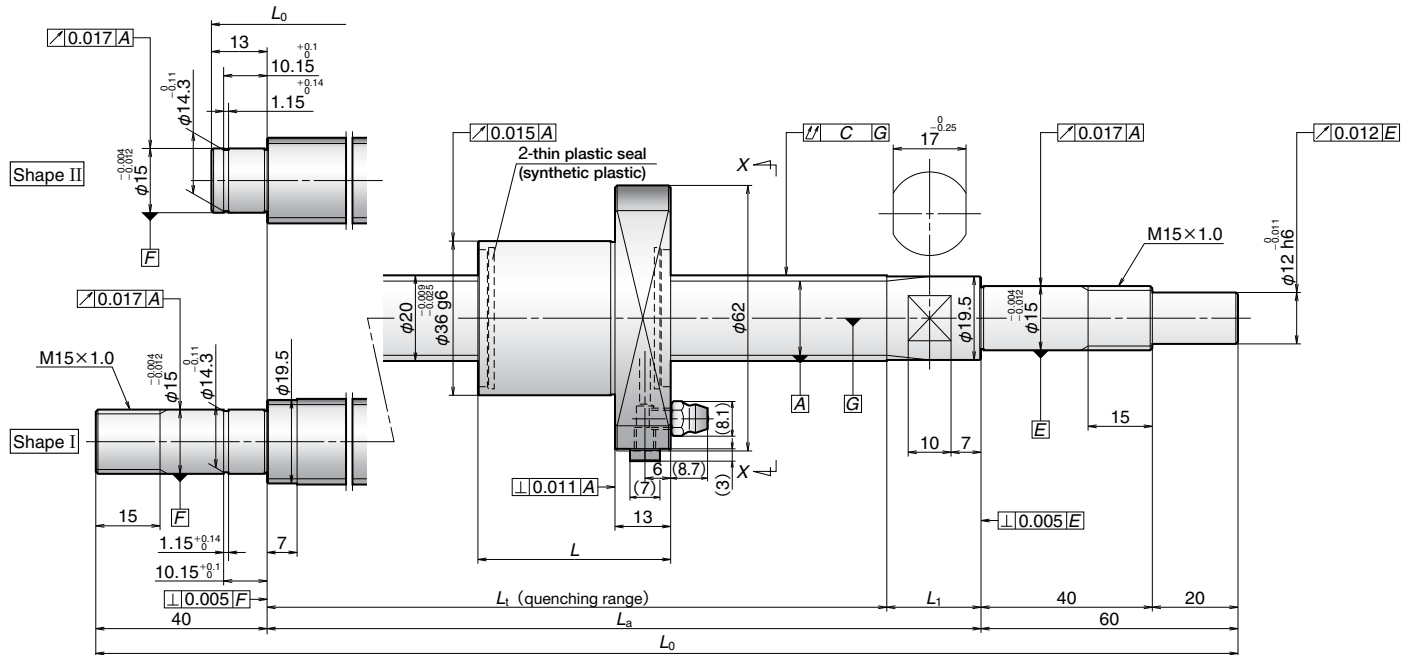
Left shaft end (opposite driven side)	Lead accuracy			Shaft run-out C	Dynamic preload torque (N·cm) ⁻¹	Mass (kg)	Permissible rotational speed (min ⁻¹) ²		Internal spatial volume of nut (cm ³)	Standard volume of grease replenishing (cm ³)
	Target value T	Error e _p	Variation V _u				Fixed-simple	Fixed-Fixed		
II	0	0.027	0.020	0.060	1.4 to 11.8	1.6	5 000	-	3.2	1.6
		0.030	0.023	0.060	1.4 to 11.8	1.8				
		0.030	0.023	0.075	1.4 to 11.8	2.0				
		0.035	0.025	0.095	1.4 to 11.8	2.3				
		0.040	0.027	0.095	0.8 to 13.8	2.5				
I		0.040	0.027	0.120	0.8 to 13.8	2.8	3 000	4 500		
		0.046	0.030	0.120	0.8 to 13.8	3.3	2 000	3 000		
		0.054	0.035	0.160	0.8 to 13.8	3.8	1 400	2 100		
		0.065	0.040	0.200	0.8 to 13.8	4.7	800	1 200		
		II	0.023	0.018	0.050	1.6 to 9.8	1.4	5 000		
0.027	0.020		0.060	1.4 to 11.8	1.7					
0.030	0.023		0.060	1.4 to 11.8	1.9					
0.030	0.023		0.075	1.4 to 11.8	2.1					
0.035	0.025		0.095	1.4 to 11.8	2.4					
0.040	0.027		0.095	0.8 to 13.8	2.6	3 900				
I	0.040	0.027	0.120	0.8 to 13.8	2.9	3 100	4 600			
	0.046	0.030	0.120	0.8 to 13.8	3.4	2 100	3 000			
	0.054	0.035	0.160	0.8 to 13.8	3.9	1 500	2 200			

3. Service temperature range is 0 to 80°C.

4. Use of NSK support unit is recommended. Refer to pages 46 to 51 for details.

Compact FA Series

Screw shaft diameter 20 mm, Lead 40 and 60 mm

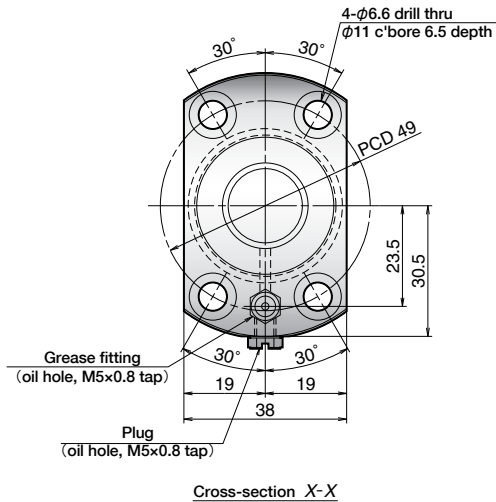


Reference no.	Screw shaft dia. d	Lead ℓ	Basic load ratings (N)		Stroke		Nut length L	Screw shaft dimensions									
			Dynamic C_a	Static C_{0a}	Nominal	Max. L_1 -L		L_1	L_2	L_0	L_3						
PSS2040N1D0658	20	40	5 900	11 700	400	461	92	553	585	658	32						
PSS2040N1D0758					500	561		653	685	758							
PSS2040N1D0858					600	661		753	785	858							
PSS2040N1D0958					700	761		853	885	958							
PSS2040N1D1085					800	861		953	985	1 085							
PSS2040N1D1285					1 000	1 061		1 153	1 185	1 285							
PSS2040N1D1485					1 200	1 261		1 353	1 385	1 485							
PSS2040N1D1885					1 600	1 661		1 753	1 785	1 885							
PSS2040N1D2285					2 000	2 061		2 153	2 185	2 285							
PSS2060N1D0708					60	60		5 900	11 700	400		464	129	593	635	708	42
PSS2060N1D0808										500		564		693	735	808	
PSS2060N1D0908										600		664		793	835	908	
PSS2060N1D1008										700		764		893	935	1 008	
PSS2060N1D1135										800		864		993	1 035	1 135	
PSS2060N1D1335	1 000	1 064	1 193	1 235			1 335										
PSS2060N1D1535	1 200	1 264	1 393	1 435			1 535										
PSS2060N1D1935	1 600	1 664	1 793	1 835			1 935										
PSS2060N1D2335	2 000	2 064	2 193	2 235			2 335										

- Notes
1. Indicates ball screw preload control value. Approximately 2.0 N•cm of torque is added due to thin plastic seals.
 2. Contact NSK if permissible rotational speed is to be exceeded.

PSS Type for General Use

Unit : mm



Ball screw specification	
Preload type	Oversize ball (P-preload)
Ball dia./screw shaft root dia.	3.175 / 17.2
Ball circle dia.	20.5
Accuracy grade/axial play	C5 / 0
Factory-packed grease	NSK grease LR3

Recommended support unit

For drive side (Fixed)	For opposite to drive side	
	(Fixed)	(Simple)
WBK15-01B (square, low) P 46-47	WBK15-01B (square, low) P 46-47	WBK15S-01B (square, low) P 50
WBK15-11 (round) P 48-49	WBK15-11 (round) P 48-49	-

Unit : mm

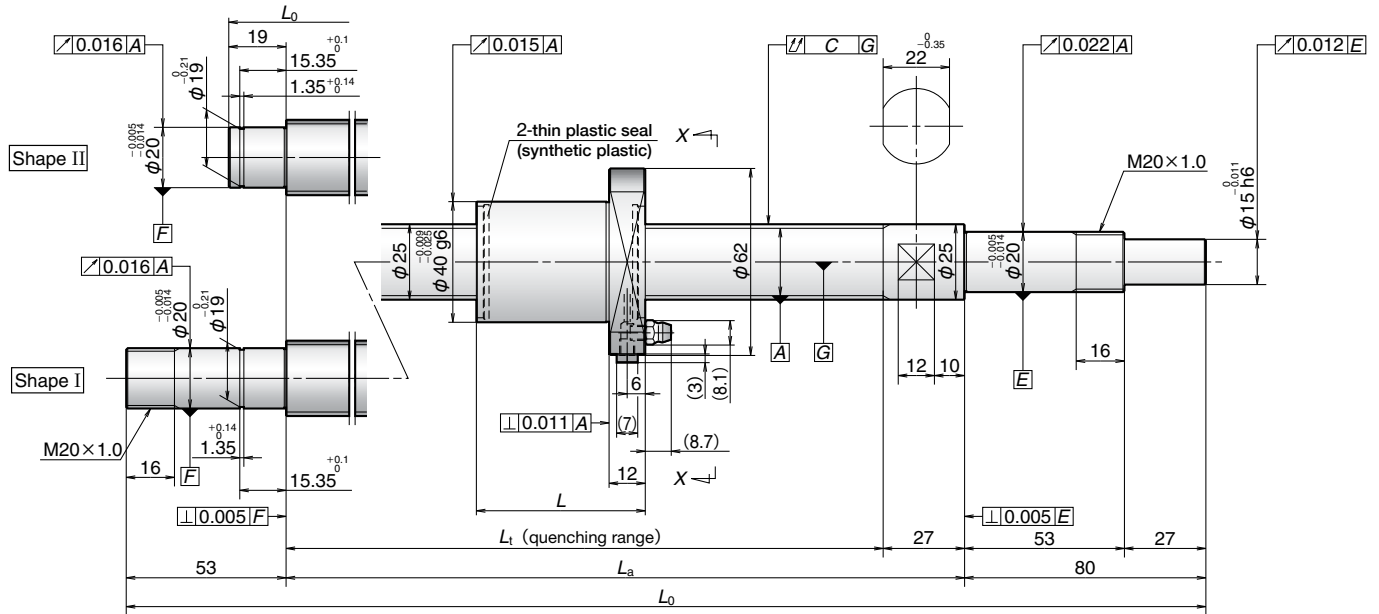
Left shaft end (opposite driven side)	Lead accuracy			Shaft run-out C	Dynamic preload torque (N·cm) ⁻¹	Mass (kg)	Permissible rotational speed (min ⁻¹) ²		Internal spatial volume of nut (cm ³)	Standard volume of grease replenishing (cm ³)		
	Target value T	Error e _p	Variation V _u				Fixed-simple	Fixed-Fixed				
II	0	0.030	0.023	0.075	2.2 to 12.8	2.1	5 000	-	5.3	2.7		
		0.035	0.025	0.075	2.2 to 12.8	2.4						
		0.035	0.025	0.095	2.2 to 12.8	2.6						
		0.040	0.027	0.095	1.8 to 14.8	2.8	3 500					
I		0.040	0.027	0.120	1.8 to 14.8	3.1	2 800	4 200				
		0.046	0.030	0.160	1.8 to 14.8	3.6	1 900	2 800				
		0.054	0.035	0.160	1.8 to 14.8	4.1	1 400	2 000				
		0.065	0.040	0.200	1.8 to 14.8	5.1	800	1 200				
II		0.077	0.046	0.240	1.8 to 14.8	6.0	500	800				
		0.030	0.023	0.075	2.7 to 13.8	2.4	5 000	-			7.0	3.5
		0.035	0.025	0.095	2.7 to 13.8	2.6						
		0.035	0.025	0.095	2.7 to 13.8	2.9						
0.040	0.027	0.120	1.8 to 14.8	3.1	3 300							
I	0.040	0.027	0.120	1.8 to 14.8	3.4	2 600	3 900					
	0.046	0.030	0.160	1.8 to 14.8	3.9	1 800	2 700					
	0.054	0.035	0.160	1.8 to 14.8	4.4	1 300	1 900					
	0.065	0.040	0.200	1.8 to 14.8	5.4	800	1 100					
	0.077	0.046	0.240	1.8 to 14.8	6.3	500	700					

3. Service temperature range is 0 to 80°C.

4. Use of NSK support unit is recommended. Refer to pages 46 to 51 for details.

Compact FA Series

Screw shaft diameter 25 mm, Lead 5 and 10 mm

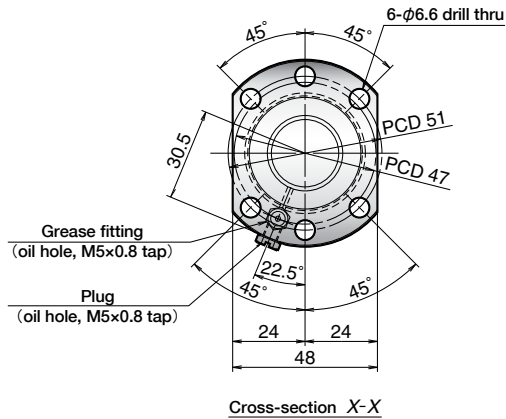


Reference no.	Screw shaft dia. d	Lead ℓ	Basic load ratings (N)		Stroke		Nut length L	Screw shaft dimensions		
			Dynamic Ca	Static C0a	Nominal	Max. Lt-L		Lt	La	L0
PSS2505N1D0349	25	5	9 760	23 600	150	191	32	223	250	349
PSS2505N1D0399					200	241		273	300	399
PSS2505N1D0499					300	341		373	400	499
PSS2505N1D0599					400	441		473	500	599
PSS2505N1D0699					500	541		573	600	699
PSS2505N1D0899					700	741		773	800	899
PSS2505N1D0999					800	841		873	900	999
PSS2505N1D1233					1 000	1 041		1 073	1 100	1 233
PSS2510N1D0549	25	10	12 800	32 300	300	367	56	423	450	549
PSS2510N1D0649					400	467		523	550	649
PSS2510N1D0749					500	567		623	650	749
PSS2510N1D0849					600	667		723	750	849
PSS2510N1D0949					700	767		823	850	949
PSS2510N1D1049					800	867		923	950	1 049
PSS2510N1D1283					1 000	1 067		1 123	1 150	1 283
PSS2510N1D1883					1 600	1 667		1 723	1 750	1 883

- Notes
1. Indicates ball screw preload control value. Approximately 2.0 N•cm of torque is added due to thin plastic seals.
 2. Contact NSK if permissible rotational speed is to be exceeded.

PSS Type for General Use

Unit : mm



Ball screw specification	
Preload type	Oversize ball (P-preload)
Ball dia./screw shaft root dia.	3.175 / 22.2
Ball circle dia.	25.5
Accuracy grade/axial play	C5 / 0
Factory-packed grease	NSK grease LR3

Recommended support unit

For drive side (Fixed)	For opposite to drive side	
	(Fixed)	(Simple)
WBK20-01 (square) P 46-47	WBK20-01 (square) P 46-47	WBK20S-01 (square) P 50
WBK20-11 (round) P 48-49	WBK20-11 (round) P 48-49	-

Unit : mm

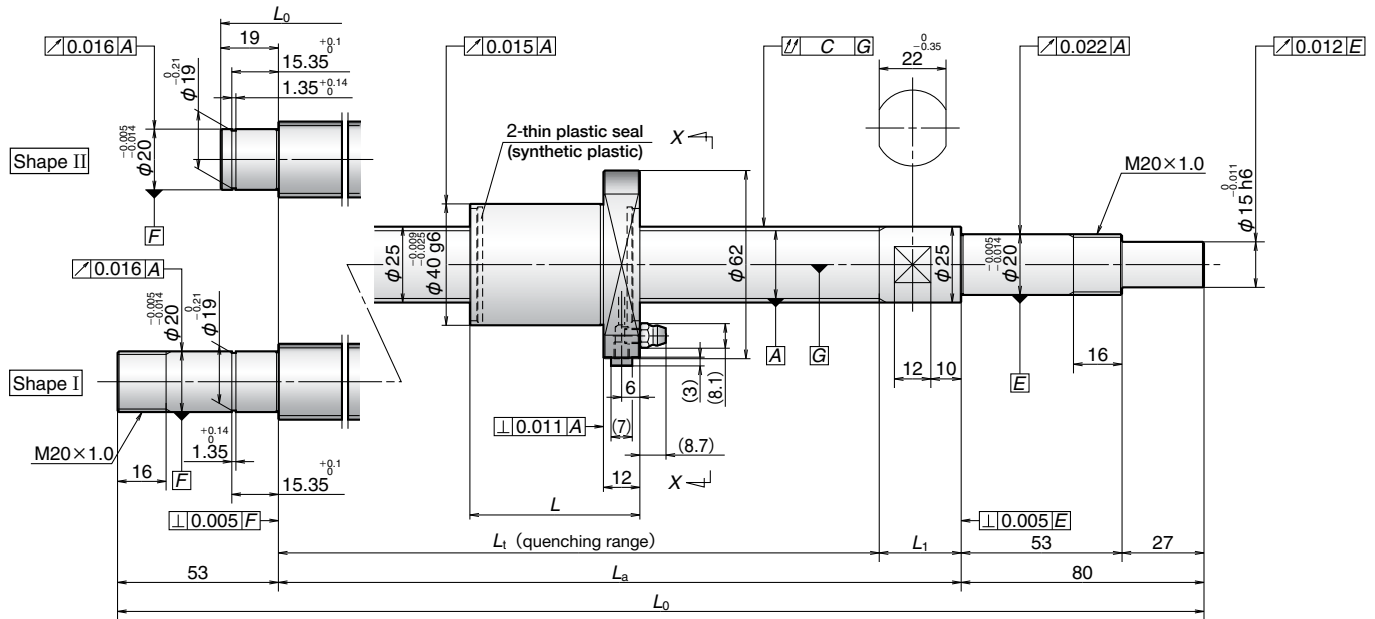
Left shaft end (opposite driven side)	Lead accuracy			Shaft run-out C	Dynamic preload torque (N·cm) ¹⁾	Mass (kg)	Permissible rotational speed (min ⁻¹) ²⁾		Internal spatial volume of nut (cm ³)	Standard volume of grease replenishing (cm ³)	
	Target value T	Error e _p	Variation V _u				Fixed-simple	Fixed-Fixed			
II	0	0.023	0.018	0.035	1.2 to 9.3	1.5	5 000	-	4.4	2.2	
		0.023	0.018	0.035	1.2 to 9.3	1.6					
		0.025	0.020	0.040	1.2 to 9.3	2.0					
		0.027	0.020	0.045	1.2 to 9.3	2.3					
		0.030	0.023	0.055	0.8 to 10.8	2.7					
		0.035	0.025	0.065	0.8 to 10.8	3.4					
I		0.040	0.027	0.065	0.8 to 10.8	3.7	4 100	4 000	4.4	2.2	
		0.046	0.030	0.080	0.8 to 13.8	4.5	2 700				
II		0	0.027	0.020	0.045	3.1 to 11.8	2.4	5 000	-	4.7	2.4
			0.030	0.023	0.055	2.2 to 12.8	2.7				
			0.030	0.023	0.055	2.2 to 12.8	3.1				
			0.035	0.025	0.065	2.2 to 12.8	3.5				
	0.040		0.027	0.065	2.2 to 12.8	3.8					
I	0.040		0.027	0.080	2.2 to 12.8	4.2	3 600	3 700	4.7	2.4	
	0.046		0.030	0.100	1.8 to 14.8	5.0	2 500				
	0.065		0.040	0.130	1.8 to 14.8	7.2	1 000				1 600

3. Service temperature range is 0 to 80°C.

4. Use of NSK support unit is recommended. Refer to pages 46 to 51 for details.

Compact FA Series

Screw shaft diameter 25 mm, Lead 20 and 25 mm

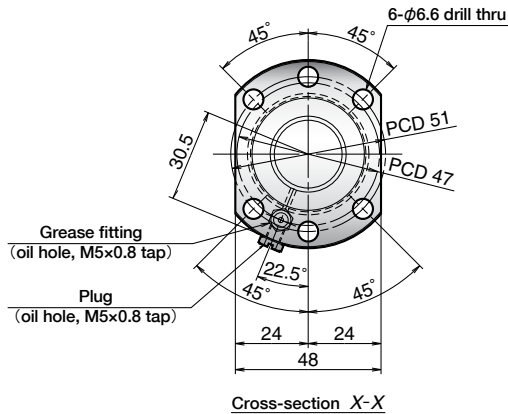


Reference no.	Screw shaft dia. d	Lead ℓ	Basic load ratings (N)		Stroke		Nut length L	Screw shaft dimensions									
			Dynamic C _a	Static C _{0a}	Nominal	Max. L ₁ -L		L ₁	L _a	L ₀	L ₁						
PSS2520N1D0729	25	20	6 560	14 600	500	550	54	604	630	729	26						
PSS2520N1D0829					600	650		704	730	829							
PSS2520N1D0929					700	750		804	830	929							
PSS2520N1D1029					800	850		904	930	1 029							
PSS2520N1D1263					1 000	1 050		1 104	1 130	1 263							
PSS2520N1D1463					1 200	1 250		1 304	1 330	1 463							
PSS2520N1D1863					1 600	1 650		1 704	1 730	1 863							
PSS2520N1D2263					2 000	2 050		2 104	2 130	2 263							
PSS2525N1D0779					25	25		6 560	14 600	500		587	63	650	680	779	30
PSS2525N1D0879										600		687		750	780	879	
PSS2525N1D0979	700	787	850	880			979										
PSS2525N1D1079	800	887	950	980			1 079										
PSS2525N1D1313	1 000	1 087	1 150	1 180			1 313										
PSS2525N1D1513	1 200	1 287	1 350	1 380			1 513										
PSS2525N1D1913	1 600	1 687	1 750	1 780			1 913										
PSS2525N1D2313	2 000	2 087	2 150	2 180			2 313										

- Notes
1. Indicates ball screw preload control value. Approximately 2.0 N•cm of torque is added due to thin plastic seals.
 2. Contact NSK if permissible rotational speed is to be exceeded.

PSS Type for General Use

Unit : mm



Ball screw specification	
Preload type	Oversize ball (P-preload)
Ball dia./screw shaft root dia.	3.175 / 22.2
Ball circle dia.	25.5
Accuracy grade/axial play	C5 / 0
Factory-packed grease	NSK grease LR3

Recommended support unit

For drive side (Fixed)		For opposite to drive side			
		(Fixed)		(Simple)	
WBK20-01 (square)	P 46-47	WBK20-01 (square)	P 46-47	WBK20S-01 (square)	P 50
WBK20-11 (round)	P 48-49	WBK20-11 (round)	P 48-49	-	-

Unit : mm

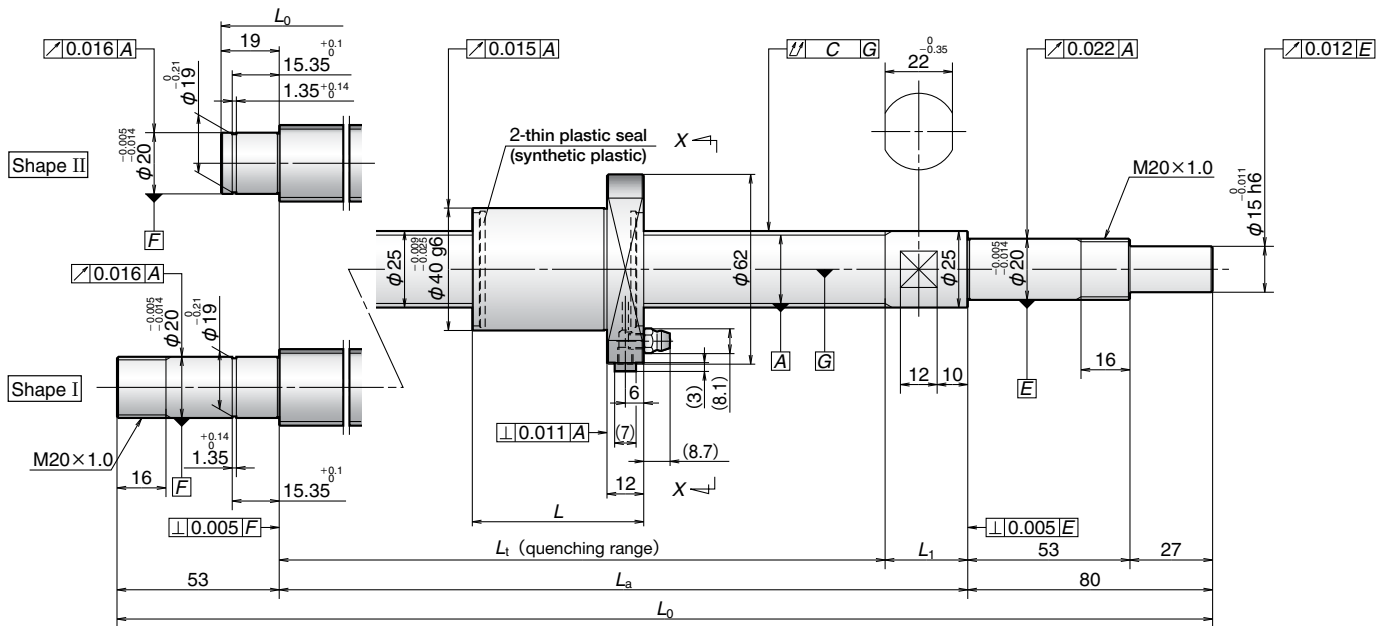
Left shaft end (opposite driven side)	Lead accuracy			Shaft run-out C	Dynamic preload torque (N·cm) ⁻¹	Mass (kg)	Permissible rotational speed (min ⁻¹) ²		Internal spatial volume of nut (cm ³)	Standard volume of grease replenishing (cm ³)			
	Target value T	Error e _p	Variation V _u				Fixed-simple	Fixed-Fixed					
II	0	0.030	0.023	0.055	2.2 to 12.8	3.1	5 000	-	3.9	2.0			
		0.035	0.025	0.065	2.2 to 12.8	3.4							
		0.040	0.027	0.065	2.2 to 12.8	3.8							
		0.040	0.027	0.080	2.2 to 12.8	4.2							
I		0.046	0.030	0.100	1.8 to 14.8	5.0	2 600	3 800					
		0.054	0.035	0.100	1.8 to 14.8	5.8	1 800	2 700					
		0.065	0.040	0.130	1.8 to 14.8	7.3	1 100	1 600					
		0.077	0.046	0.170	1.8 to 14.8	8.8	700	1 000					
II		0.035	0.025	0.055	2.7 to 13.8	3.3	5 000	-			4.3	2.2	
		0.035	0.025	0.065	2.7 to 13.8	3.7							
		0.040	0.027	0.065	2.7 to 13.8	4.1							4 300
		0.040	0.027	0.080	2.7 to 13.8	4.4							3 400
I	0.046	0.030	0.100	1.8 to 14.8	5.3	2 300	3 500						
	0.054	0.035	0.100	1.8 to 14.8	6.0	1 700	2 600						
	0.065	0.040	0.130	1.8 to 14.8	7.5	1 000	1 500						
	0.077	0.046	0.170	1.8 to 14.8	9.1	700	1 000						

3. Service temperature range is 0 to 80°C.

4. Use of NSK support unit is recommended. Refer to pages 46 to 51 for details.

Compact FA Series

Screw shaft diameter 25 mm, Lead 30 and 50 mm

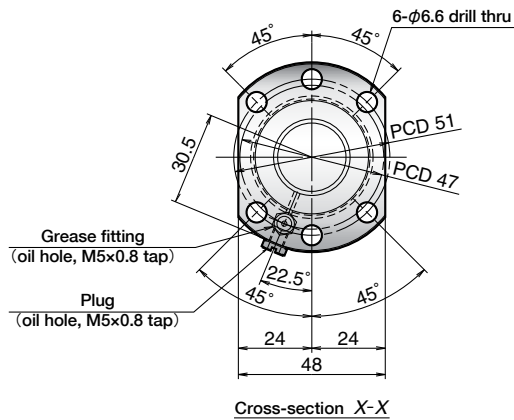


Reference no.	Screw shaft dia. d	Lead ℓ	Basic load ratings (N)		Stroke		Nut length L	Screw shaft dimensions									
			Dynamic C _a	Static C _{0a}	Nominal	Max. L _t -L		L _t	L _a	L ₀	L ₁						
PSS2530N1D0779	25	30	6 560	14 600	500	576	74	650	680	779	30						
PSS2530N1D0879					600	676		750	780	879							
PSS2530N1D0979					700	776		850	880	979							
PSS2530N1D1079					800	876		950	980	1 079							
PSS2530N1D1313					1 000	1 076		1 150	1 180	1 313							
PSS2530N1D1513					1 200	1 276		1 350	1 380	1 513							
PSS2530N1D1913					1 600	1 676		1 750	1 780	1 913							
PSS2530N1D2313					2 000	2 076		2 150	2 180	2 313							
PSS2550N1D0829					50	50		6 560	14 600	500		576	114	690	730	829	40
PSS2550N1D0929										600		676		790	830	929	
PSS2550N1D1029										700		776		890	930	1 029	
PSS2550N1D1129										800		876		990	1 030	1 129	
PSS2550N1D1363	1 000	1 076	1 190	1 230			1 363										
PSS2550N1D1563	1 200	1 276	1 390	1 430			1 563										
PSS2550N1D1963	1 600	1 676	1 790	1 830			1 963										
PSS2550N1D2363	2 000	2 076	2 190	2 230			2 363										

- Notes
1. Indicates ball screw preload control value. Approximately 2.0 N•cm of torque is added due to thin plastic seals.
 2. Contact NSK if permissible rotational speed is to be exceeded.

PSS Type for General Use

Unit : mm



Ball screw specification	
Preload type	Oversize ball (P-preload)
Ball dia./screw shaft root dia.	3.175 / 22.2
Ball circle dia.	25.5
Accuracy grade/axial play	C5 / 0
Factory-packed grease	NSK grease LR3

Recommended support unit

For drive side (Fixed)	For opposite to drive side	
	(Fixed)	(Simple)
WBK20-01 (square) P 46-47	WBK20-01 (square) P 46-47	WBK20S-01 (square) P 50
WBK20-11 (round) P 48-49	WBK20-11 (round) P 48-49	-

Unit : mm

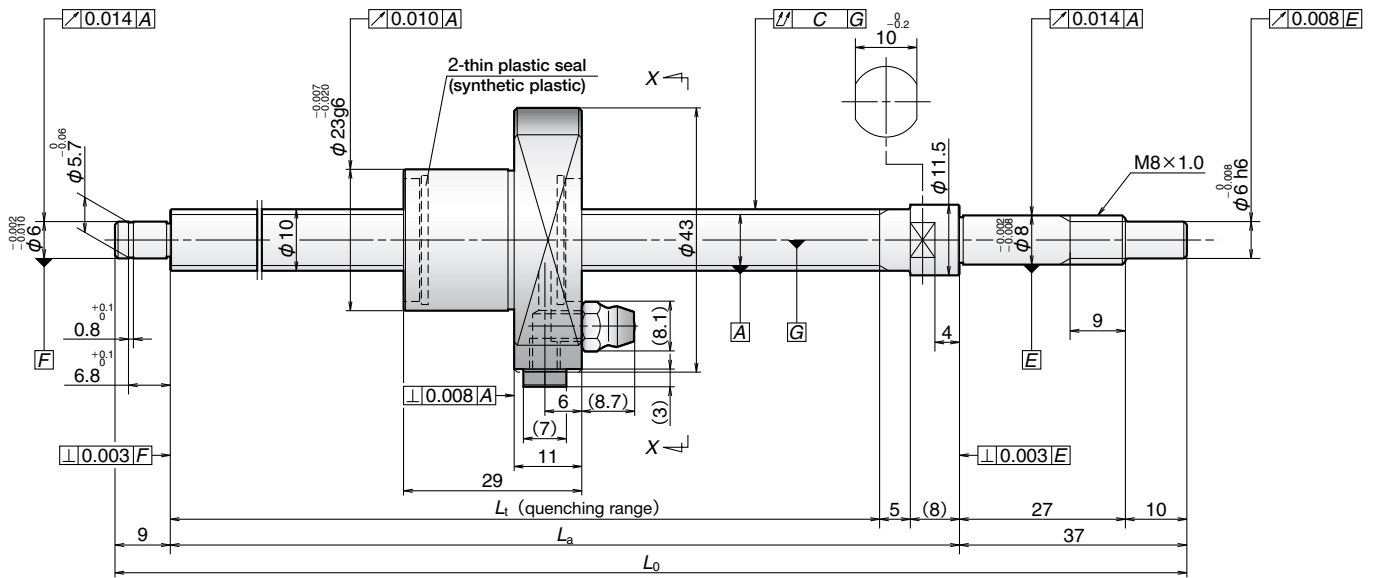
Left shaft end (opposite driven side)	Lead accuracy			Shaft run-out C	Dynamic preload torque (N·cm) ¹	Mass (kg)	Permissible rotational speed (min ⁻¹) ²		Internal spatial volume of nut (cm ³)	Standard volume of grease replenishing (cm ³)
	Target value T	Error e _p	Variation V _u				Fixed-simple	Fixed-Fixed		
II	0	0.035	0.025	0.055	2.7 to 13.8	3.4	5 000	-	5.5	2.8
		0.035	0.025	0.065	2.7 to 13.8	3.7				
		0.040	0.027	0.065	2.7 to 13.8	4.1				
		0.040	0.027	0.080	2.7 to 13.8	4.5				
I		0.046	0.030	0.100	1.8 to 14.8	5.3	2 300	3 600	5.5	2.8
		0.054	0.035	0.100	1.8 to 14.8	6.1	1 700	2 600		
		0.065	0.040	0.130	1.8 to 14.8	7.6	1 000	1 500		
		0.077	0.046	0.170	1.8 to 14.8	9.1	700	1 000		
II		0.035	0.025	0.065	5.4 to 17.6	3.8	5 000	-	7.7	3.9
		0.035	0.025	0.065	5.4 to 17.6	4.1	4 800			
		0.040	0.027	0.080	5.4 to 17.6	4.5	3 800			
		0.040	0.027	0.080	5.4 to 17.6	4.9	3 100			
I	0.046	0.030	0.100	4.1 to 19.6	5.8	2 200	3 400	7.7	3.9	
	0.054	0.035	0.100	4.1 to 19.6	6.5	1 600	2 500			
	0.065	0.040	0.130	4.1 to 19.6	8.0	900	1 500			
	0.077	0.046	0.170	4.1 to 19.6	9.6	600	1 000			

3. Service temperature range is 0 to 80°C.

4. Use of NSK support unit is recommended. Refer to pages 46 to 51 for details.

Compact FA Series

Screw shaft diameter 10 mm, Lead 5 mm

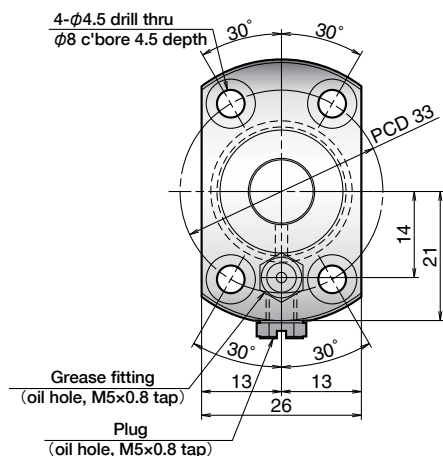


Reference no.	Screw shaft dia. d	Lead ℓ	Basic load ratings (N)		Stroke		Screw shaft dimensions		
			Dynamic C _a	Static C _{0a}	Nominal	Max. L ₁ -L	L ₁	L _a	L ₀
USS1005N1D0221	10	5	2 930	4 790	100	133	162	175	221
USS1005N1D0321					200	233	262	275	321
USS1005N1D0521					400	433	462	475	521

- Notes
1. Indicates ball screw preload control value. Approximately 0.5 N•cm of torque is added due to thin plastic seals.
 2. Contact NSK if permissible rotational speed is to be exceeded.

USS Type for High-Accuracy and Clean Room Use

Unit : mm



Cross-section X-X

Ball screw specification

Shaft dia.	Ø10
Preload type	Oversize ball (P-preload)
Ball dia./screw shaft root dia.	2.000 / 8.2
Ball circle dia.	10.3
Accuracy grade/axial play	C3 / 0
Factory-packed grease	NSK clean grease LG2

Recommended support unit

For drive side (Fixed)		For opposite to drive side (Simple)	
WBK08-01B (square, low)	P 46-47	WBK08S-01B (square, low)	P 50
WBK08-11 (round)	P 48-49	WBK08S-01C (square, clean)	P 50
WBK08-01C (square, clean)	P 46-47	-	-
WBK08-11C (round, clean)	P 48-49	-	-

Unit : mm

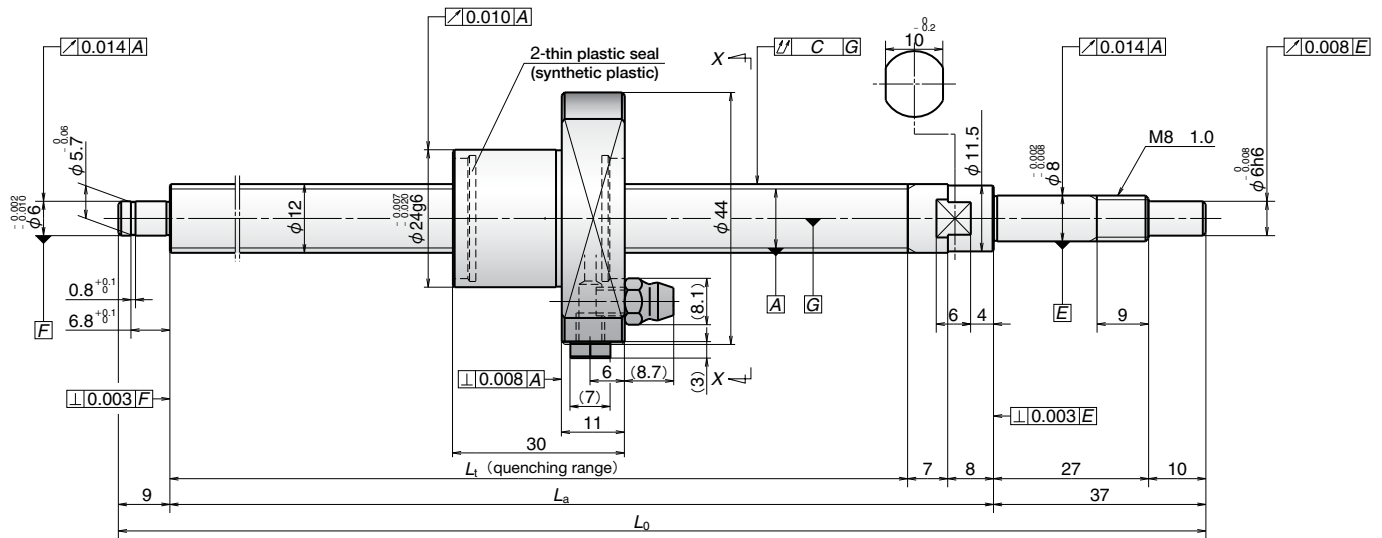
Lead accuracy			Shaft run-out C	Dynamic preload torque (N·cm) ⁻¹	Mass (kg)	Permissible rotational speed (min ⁻¹) ^{±2}	Internal spatial volume of nut (cm ³)	Standard volume of grease replenishing (cm ³)
Target value T	Error e _p	Variation V _u						
0	0.010	0.008	0.035	0.2 to 1.8	0.3	5 000	0.8	0.4
	0.012	0.008	0.045	0.2 to 2.0	0.3			
	0.015	0.010	0.070	0.2 to 3.0	0.5			

3. Service temperature range is 0 to 80°C.

4. Use of NSK support unit is recommended. Refer to pages 46 to 50 for details.

Compact FA Series

Screw shaft diameter 12 mm, Lead 5 mm

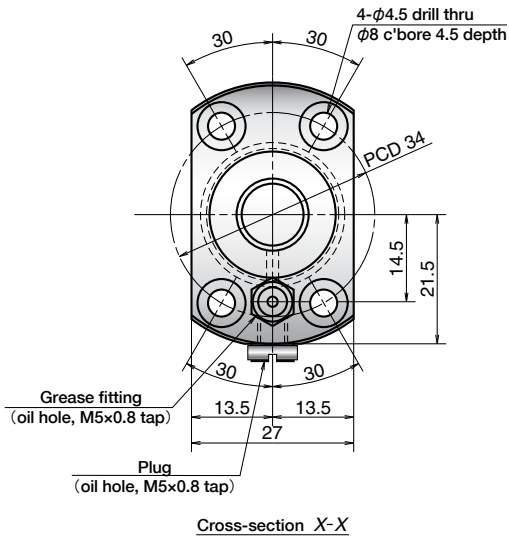


Reference no.	Screw shaft dia. d	Lead ℓ	Basic load ratings (N)		Stroke		Screw shaft dimensions		
			Dynamic C _a	Static C _{0a}	Nominal	Max. L ₁ -L	L ₁	L _a	L ₀
USS1205N1D0221	12	5	3 200	5 860	100	130	160	175	221
USS1205N1D0321					200	230	260	275	321
USS1205N1D0621					500	530	560	575	621

- Notes
1. Indicates ball screw preload control value. Approximately 0.5 N•cm of torque is added due to thin plastic seals.
 2. Contact NSK if permissible rotational speed is to be exceeded.

USS Type for High-Accuracy and Clean Room Use

Unit : mm



Ball screw specification	
Shaft dia.	Ø12
Preload type	Overize ball (P-preload)
Ball dia./screw shaft root dia.	2.000 / 10.2
Ball circle dia.	12.3
Accuracy grade/axial play	C3 / 0
Factory-packed grease	NSK clean grease LG2

Recommended support unit

For drive side (Fixed)		For opposite to drive side (Simple)	
WBK08-01B (square, low)	P 46-47	WBK08S-01B (square, low)	P 50
WBK08-11 (round)	P 48-49	WBK08S-01C (square, clean)	P 50
WBK08-01C (square, clean)	P 46-47	-	-
WBK08-11C (round, clean)	P 48-49	-	-

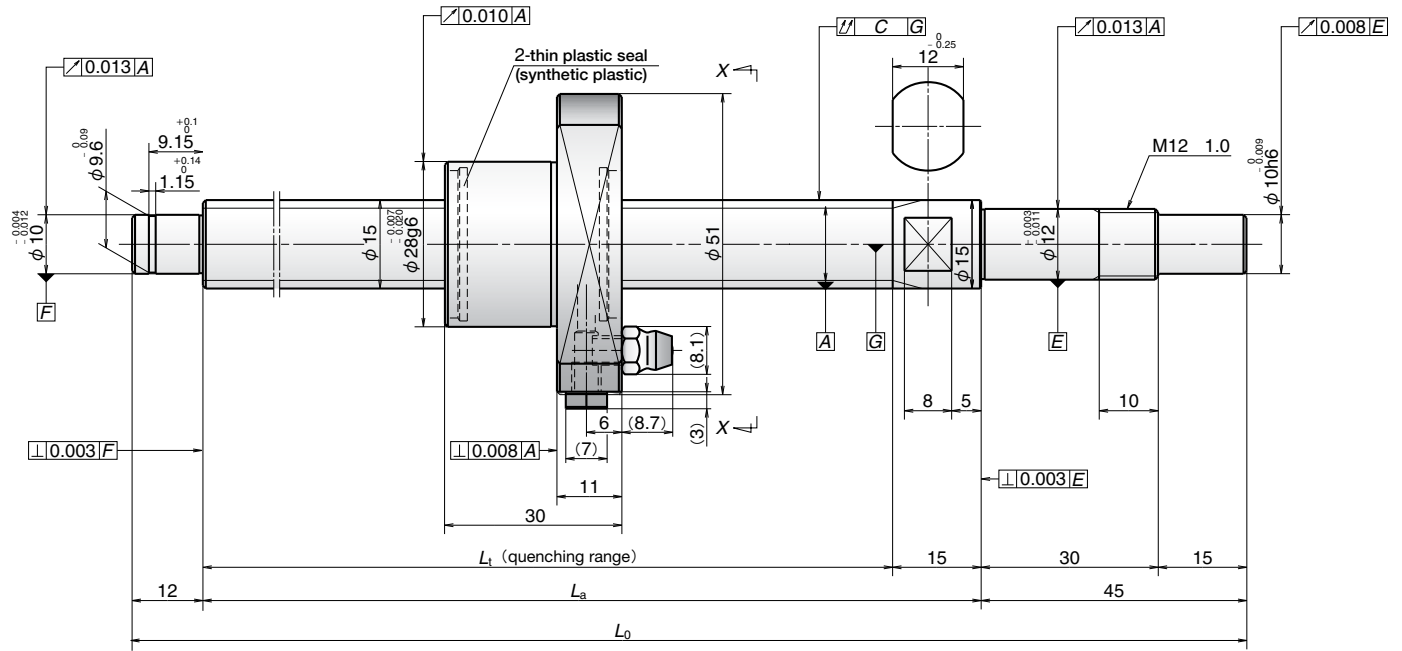
Unit : mm

Lead accuracy			Shaft run-out C	Dynamic preload torque (N·cm) ⁻¹	Mass (kg)	Permissible rotational speed (min ⁻¹) ^{1/2}	Internal spatial volume of nut (cm ³)	Standard volume of grease replenishing (cm ³)
Target value T	Error e _p	Variation V _u						
0	0.010	0.008	0.035	0.2 to 1.8	0.3	5 000	1	0.5
	0.012	0.008	0.045	0.2 to 2.0	0.3			
	0.016	0.012	0.070	0.2 to 3.0	0.7			

3. Service temperature range is 0 to 80°C.
4. Use of NSK support unit is recommended. Refer to pages 46 to 50 for details.

Compact FA Series

Screw shaft diameter 15 mm, Lead 5 mm

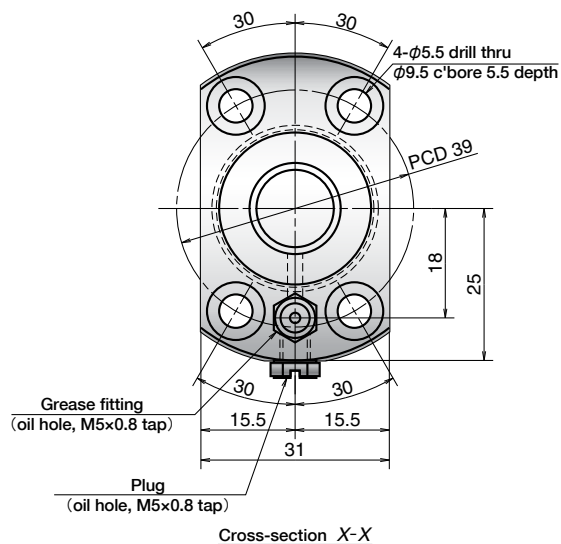


Reference no.	Screw shaft dia. d	Lead ℓ	Basic load ratings (N)		Stroke		Screw shaft dimensions		
			Dynamic C _a	Static C _{0a}	Nominal	Max. L ₁ -L	L ₁	L _a	L ₀
USS1505N1D0261	15	5	5 460	10 200	100	159	189	204	261
USS1505N1D0361					200	259	289	304	361
USS1505N1D0561					400	459	489	504	561
USS1505N1D0761					600	659	689	704	761

- Notes
1. Indicates ball screw preload control value. Approximately 0.5 N•cm of torque is added due to thin plastic seals.
 2. Contact NSK if permissible rotational speed is to be exceeded.

USS Type for High-Accuracy and Clean Room Use

Unit : mm



Ball screw specification	
Shaft dia.	Ø15
Preload type	Oversize ball (P-preload)
Ball dia./screw shaft root dia.	2.778 / 12.6
Ball circle dia.	15.5
Accuracy grade/axial play	C3 / 0
Factory-packed grease	NSK clean grease LG2

Recommended support unit

For drive side (Fixed)		For opposite to drive side (Simple)	
WBK12-01B (square, low)	P 46-47	WBK12S-01B (square, low)	P 50
WBK12-11 (round)	P 48-49	WBK12S-01C (square, clean)	P 50
WBK12-01C (square, clean)	P 46-47	-	-
WBK12-11C (round, clean)	P 48-49	-	-

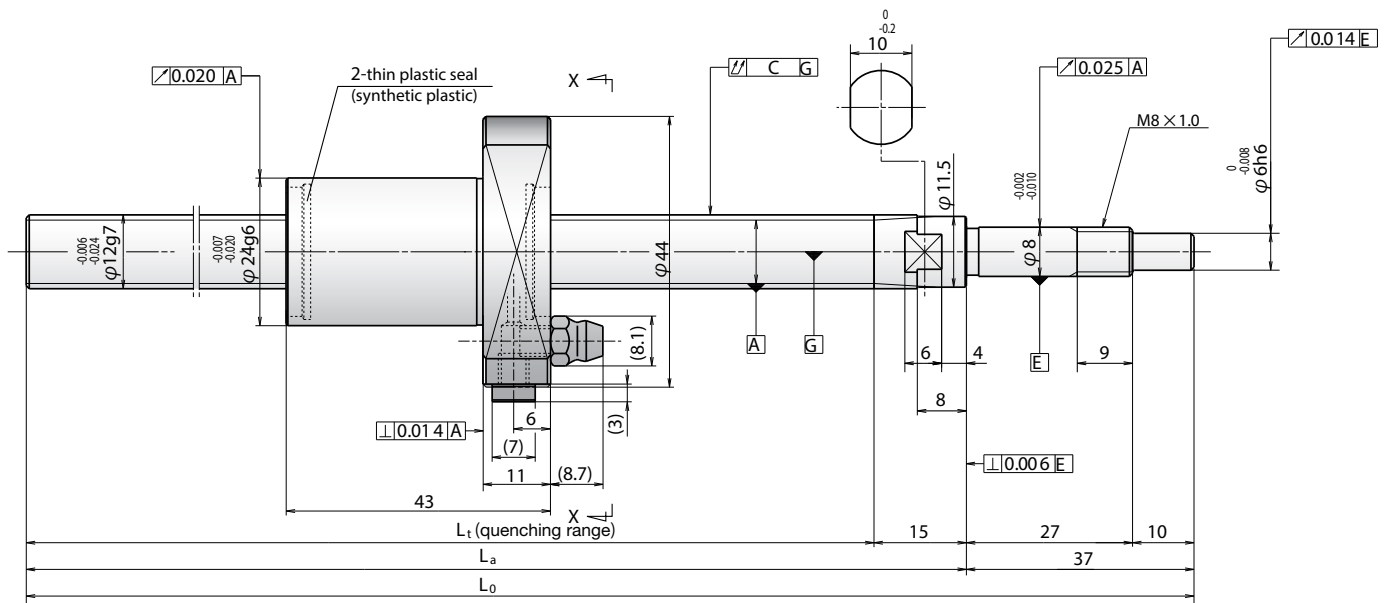
Unit : mm

Target value T	Lead accuracy		Shaft run-out C	Dynamic preload torque (N·cm) ⁻¹	Mass (kg)	Permissible rotational speed (min ⁻¹) ²	Internal spatial volume of nut (cm ³)	Standard volume of grease replenishing (cm ³)
	Error e _p	Variation V _u				Fixed-simple		
0	0.010	0.008	0.025	0.2 to 5.0	0.5	5 000	2	1
	0.012	0.008	0.035	0.2 to 5.0	0.6			
	0.015	0.010	0.045	0.2 to 6.0	0.9			
	0.018	0.013	0.060	0.2 to 8.0	1.1			

3. Service temperature range is 0 to 80°C.
4. Use of NSK support unit is recommended. Refer to pages 46 to 50 for details.

Compact FA Series

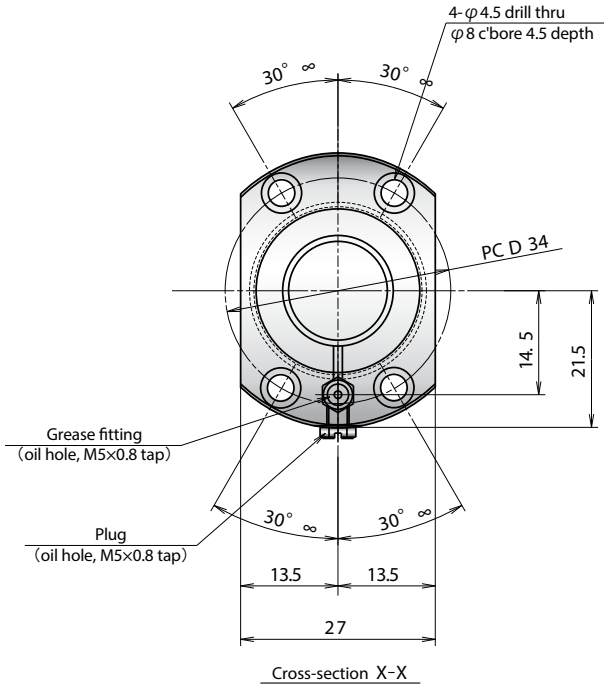
Screw shaft diameter 12 mm, Lead 10 mm



Reference no.	Screw shaft dia. d	Lead l	Basic load ratings (N)		Screw shaft dimensions		
			Dynamic C_a	Static C_{0a}	L_1	L_a	L_0
FSS1210N1D0400	12	10	3 200	5 860	348	363	400
FSS1210N1D0600					548	563	600
FSS1210N1D0900					848	863	900

- Notes
1. Approximately 2.0 N•cm of torque is added due to thin plastic seals.
 2. Permissible rotational speed varies when using cut screws shaft. It is necessary to calculate two items below, and whichever is smaller is the permissible rotational speed.
 - * Critical speed which is the resonance vibration of the shaft.
 - * Maximum rotational speed 5000 min⁻¹.

FSS Type for Transfer Equipment



Unit : mm

Ball screw specification	
Ball dia./screw shaft root dia.	2.000 / 10.2
Ball circle dia.	12.3
Accuracy grade/axial play	Ct7 / 0.010 or less
Factory-packed grease	NSK grease LR3

Recommended support unit

For drive side (Fixed)	For opposite to drive side (Simple)
WBK08-01B (square, low) P 46-47	WBK12SF-01B (square, low) P 51

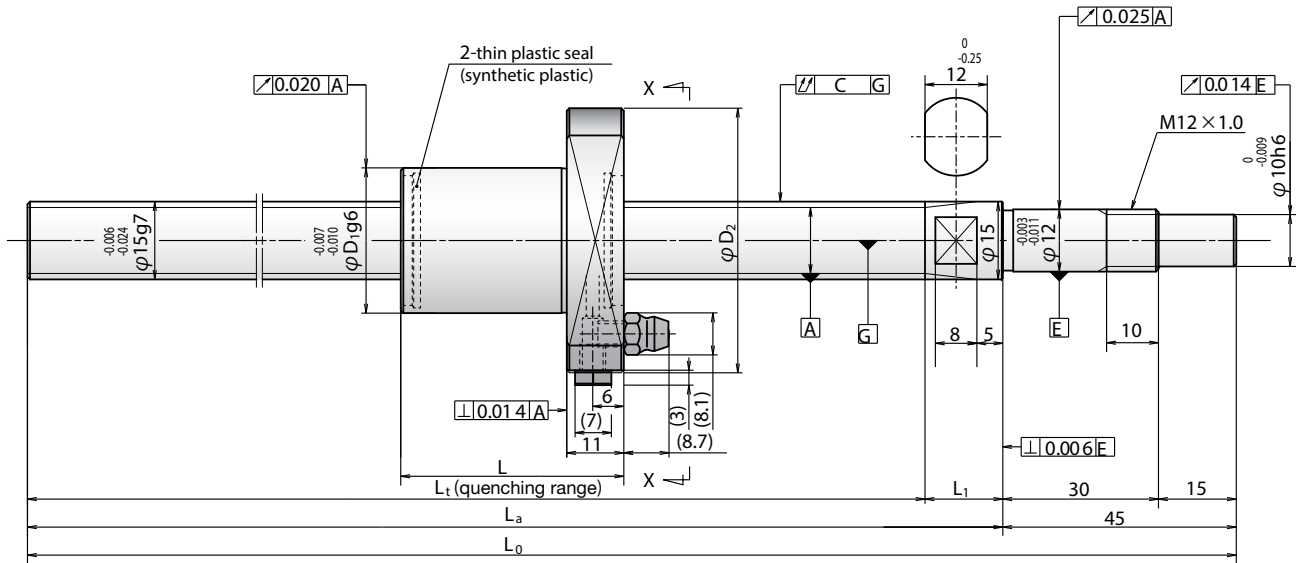
Unit : mm

Target value T	Lead accuracy		Shaft run-out C	Mass (kg)	Internal spatial volume of nut (cm ³)	Standard volume of grease replenishing (cm ³)
	Error e _p	Variation V _u				
0	0.120	0.052	0.08	0.5	1.0	0.5
	0.195		0.12	0.7		
	0.310		0.18	1.0		

- Service temperature range is 0 to 80°C.
- Use of NSK support unit is recommended. Refer to pages 46 to 51 for details.

Compact FA Series

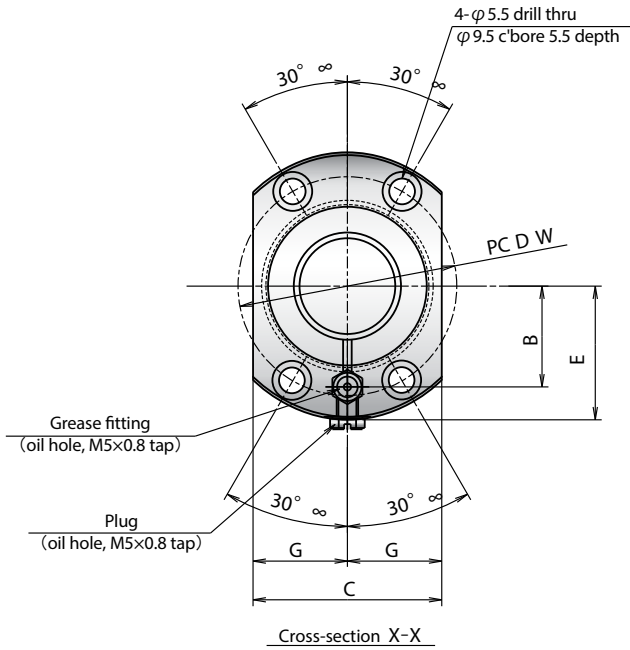
Screw shaft diameter 15 mm, Lead 10 and 20 mm



Reference no.	Screw shaft dia. d	Lead ℓ	Basic load ratings (N)		Screw shaft dimensions			
			Dynamic C_a	Static C_{0a}	L_1	L_a	L_0	L_1
FSS1510N1D0500	15	10	5 460	10 200	440	455	500	15
FSS1510N1D1000					940	955	1 000	
FSS1510N1D1450					1 390	1 405	1 450	
FSS1520N1D0500		20	5 070	8 730	437	455	500	18
FSS1520N1D1000					937	955	1 000	
FSS1520N1D1450					1 387	1 405	1 450	

- Notes
1. Approximately 2.0 N•cm of torque is added due to thin plastic seals.
 2. Permissible rotational speed varies when using cut screws shaft. It is necessary to calculate two items below, and whichever is smaller is the permissible rotational speed.
 - * Critical speed which is the resonance vibration of the shaft.
 - * Maximum rotational speed 5000 min⁻¹.

FSS Type for Transfer Equipment



Unit : mm

Ball screw specification		
Lead	10	20
Ball dia./screw shaft root dia.	2.778 / 12.6	3.175 / 12.2
Ball circle dia.	15.5	
Accuracy grade/axial play	Ct7 / 0.010 or less	
Factory-packed grease	NSK grease LR3	

Recommended support unit

For drive side (Fixed)		For opposite to drive side (Simple)	
WBK12-01B (square, low)	P 46-47	WBK15SF-01B (square, low)	P 51

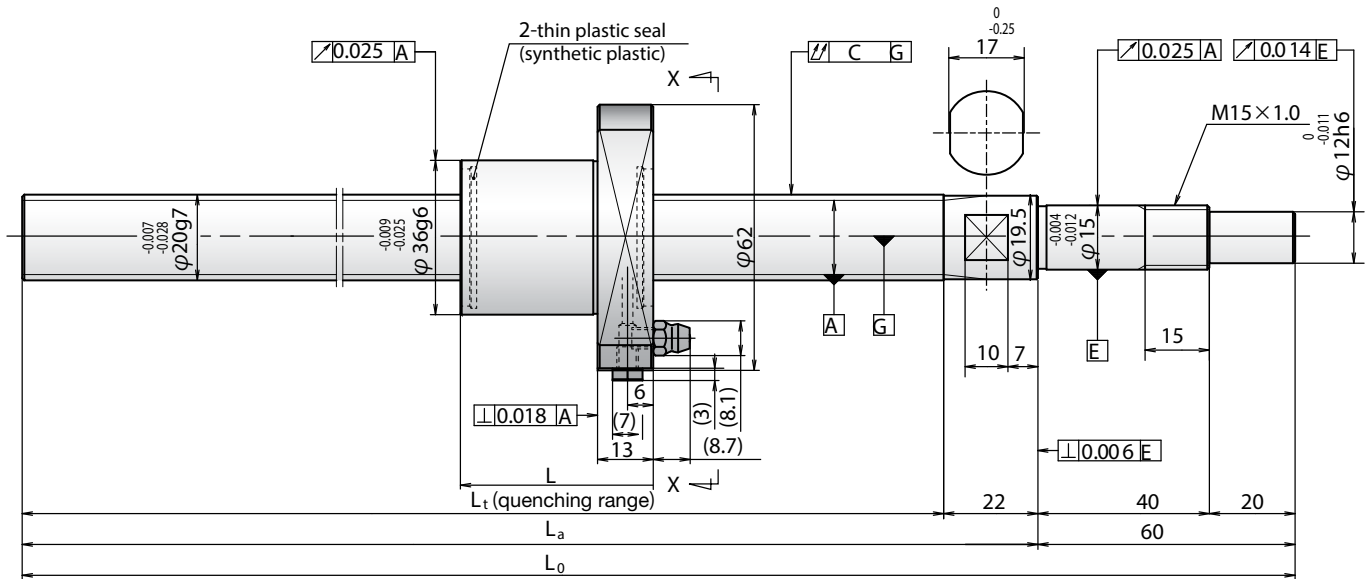
Unit : mm

Nut dimensions								Lead accuracy			Shaft run-out C	Mass (kg)	Internal spatial volume of nut (cm ³)	Standard volume of grease replenishing (cm ³)
L	D ₁	D ₂	W	B	C	E	G	Target value T	Error e _p	Variation V _u				
43	28	51	39	18	31	25	15.5	0	0.155	0.052	0.070	0.9	2.0	1.0
									0.310		0.125	1.7		
									0.490		0.200	2.3		
51	32	55	43	20	33	27	16.5		0.155		0.070	1.0	2.8	1.4
									0.310		0.125	1.7		
									0.490		0.200	2.3		

- Service temperature range is 0 to 80°C.
- Use of NSK support unit is recommended. Refer to pages 46 to 51 for details.

Compact FA Series

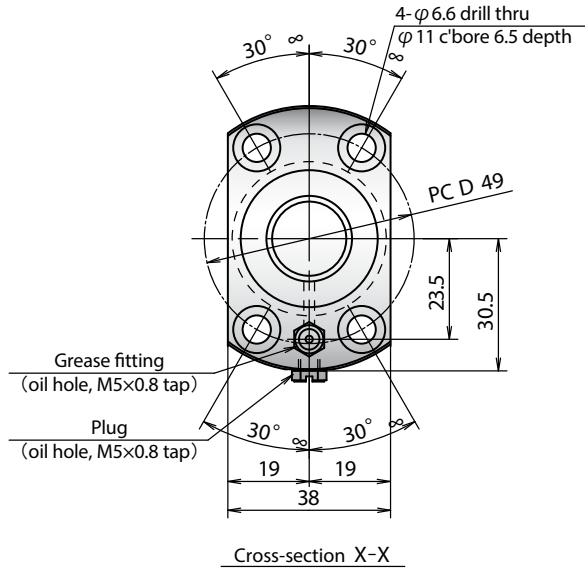
Screw shaft diameter 20 mm, Lead 10 and 20 mm



Reference no.	Screw shaft dia. d	Lead l	Basic load ratings (N)		Screw shaft dimensions		
			Dynamic C_a	Static C_{0a}	L_t	L_a	L_0
FSS2010N1D0600	20	10	8 790	18 500	518	540	600
FSS2010N1D1000					918	940	1 000
FSS2010N1D1450					1 368	1 390	1 450
FSS2020N1D0600		20	5 900	11 700	518	540	600
FSS2020N1D1000					918	940	1 000
FSS2020N1D1450					1 368	1 390	1 450

- Notes
1. Approximately 2.0 N•cm of torque is added due to thin plastic seals.
 2. Permissible rotational speed varies when using cut screws shaft. It is necessary to calculate two items below, and whichever is smaller is the permissible rotational speed.
 - * Critical speed which is the resonance vibration of the shaft.
 - * Maximum rotational speed 5000 min⁻¹.

FSS Type for Transfer Equipment



Unit : mm

Ball screw specification	
Ball dia./screw shaft root dia.	3.175 / 17.2
Ball circle dia.	20.5
Accuracy grade/axial play	Ct7 / 0.010 or less
Factory-packed grease	NSK grease LR3

Recommended support unit

For drive side (Fixed)		For opposite to drive side (Simple)	
WBK15-01B (square, low)	P 46-47	WBK20SF-01B (square, low)	P 51

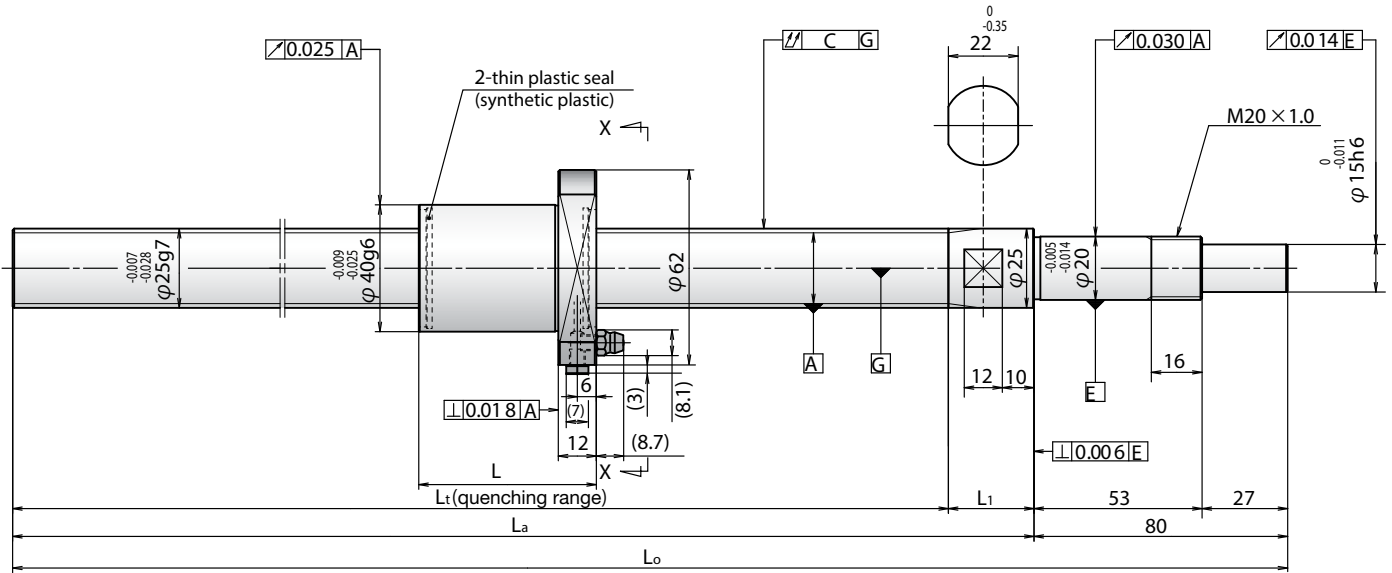
Unit : mm

Nut length L	Lead accuracy			Shaft run-out C	Mass (kg)	Internal spatial volume of nut (cm ³)	Standard volume of grease replenishing (cm ³)
	Target value T	Error e _p	Variation V _u				
45	0	0.195	0.052	0.085	1.7	3.2	1.6
		0.310		0.125	2.6		
		0.490		0.200	3.6		
54		0.195		0.085	1.8		
		0.310		0.125	2.7		
		0.490		0.200	3.8		

- Service temperature range is 0 to 80°C.
- Use of NSK support unit is recommended. Refer to pages 46 to 51 for details.

Compact FA Series

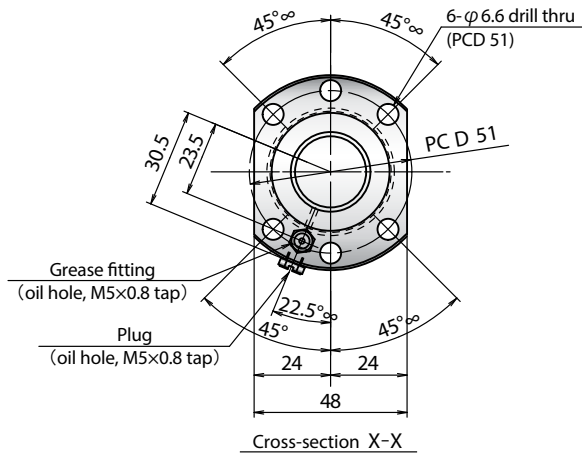
Screw shaft diameter 25 mm, Lead 10, 20 and 25 mm



Reference no.	Screw shaft dia. d	Lead	Basic load ratings (N)		Screw shaft dimensions			
			Dynamic C _a	Static C _{0a}	L ₁	L _a	L ₀	L ₁
FSS2510N1D0600	25	10	12 800	32 300	493	520	600	27
FSS2510N1D1000					893	920	1 000	
FSS2510N1D1450					1 343	1 370	1 450	
FSS2520N1D0600	25	20	6 560	14 600	494	520	600	26
FSS2520N1D1000					894	920	1 000	
FSS2520N1D1450					1 344	1 370	1 450	
FSS2525N1D0600	25	25	6 560	14 600	490	520	600	30
FSS2525N1D1000					890	920	1 000	
FSS2525N1D1450					1 340	1 370	1 450	

- Notes
1. Approximately 2.0 N•cm of torque is added due to thin plastic seals.
 2. Permissible rotational speed varies when using cut screws shaft. It is necessary to calculate two items below, and whichever is smaller is the permissible rotational speed.
 - * Critical speed which is the resonance vibration of the shaft.
 - * Maximum rotational speed 5000 min⁻¹.

FSS Type for Transfer Equipment



Unit : mm

Ball screw specification	
Ball dia./screw shaft root dia.	3.175 / 22.2
Ball circle dia.	25.5
Accuracy grade/axial play	Ct7 / 0.010 or less
Factory-packed grease	NSK grease LR3

Recommended support unit

For drive side (Fixed)		For opposite to drive side (Simple)	
WBK20-01 (square)	P 46-47	WBK25SF-01 (square)	P 51

Unit : mm

Nut length L	Lead accuracy			Shaft run-out C	Mass (kg)	Internal spatial volume of nut (cm ³)	Standard volume of grease replenishing (cm ³)
	Target value T	Error e _p	Variation V _u				
56	0	0.155	0.052	0.065	2.6	4.7	2.4
		0.310		0.090	4.0		
		0.490		0.130	5.8		
54		0.155		0.065	2.6	3.9	2.0
		0.310		0.090	4.0		
		0.490		0.130	5.8		
63		0.155		0.065	2.6	4.3	2.2
		0.310		0.090	4.1		
		0.490		0.130	5.8		

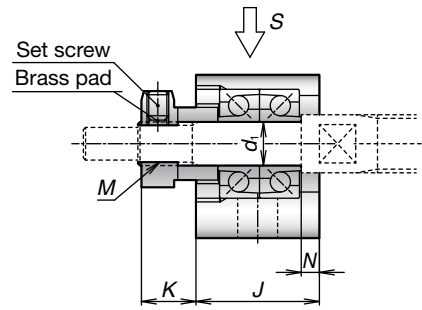
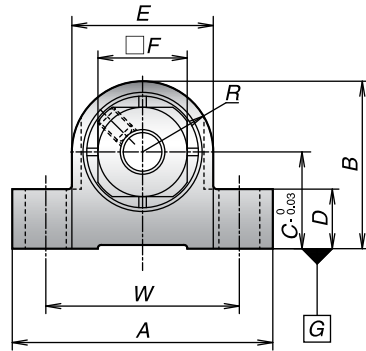
3. Service temperature range is 0 to 80°C.

4. Use of NSK support unit is recommended. Refer to pages 46 to 51 for details.

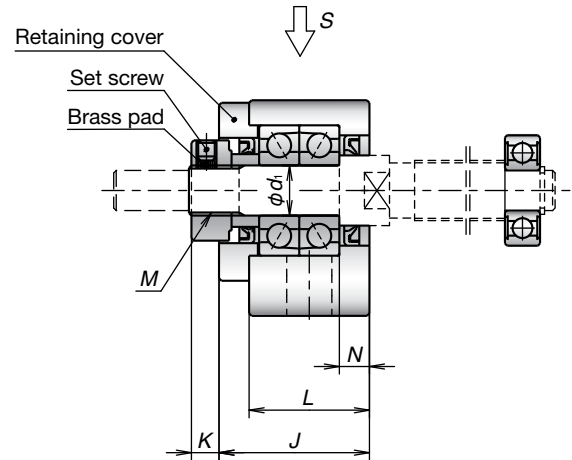
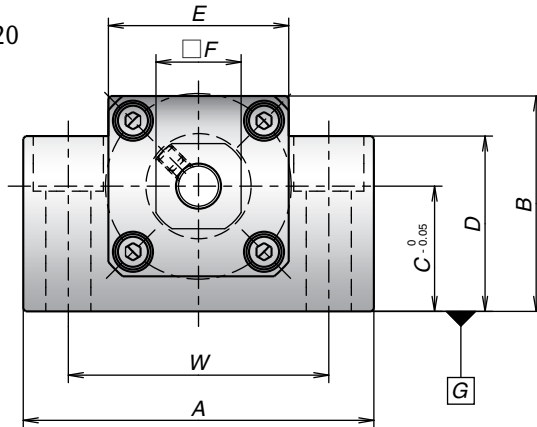
Support Units

Fixed support side support unit (square type)

WBK04 and 06

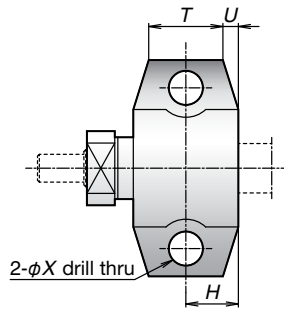


WBK08 to 20

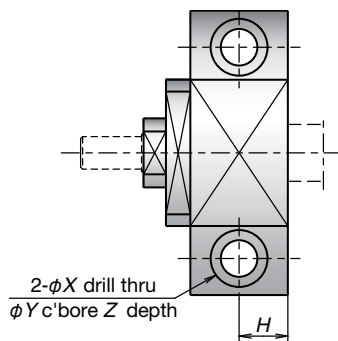


Reference no.	Use	d ₁	A	B	C	D	E	F	L	J	K	R	T	U	N
WBK04-01M	General	4	27	17.0	10.0	6	14	10	-	14.0	5.5	7.0	9	1.5	2.0
WBK06-01M	General	6	35	22.5	13.0	8	19	12	-	17.0	7.5	9.5	12	2.5	2.5
WBK08-01A	General	8	52	32.0	17.0	26	25	14	23.0	23.0	7.0	-	-	-	4.0
WBK08-01B	Low type		62	31.0	15.5	31	-		21.5	25.5	4.5	-	-	-	3.5
WBK08-01C	Clean		52	32.0	17.0	26	25		23.0	23.0	7.0	-	-	-	4.0
WBK10-01A	General	10	70	43.0	25.0	35	36	17	24.0	30.0	5.5	-	-	-	6.0
WBK10-01B	Low type			38.0	20.0	38	-								
WBK10-01C	Clean			43.0	25.0	35	36								
WBK12-01A	General	12	70	43.0	25.0	35	36	19	24.0	30.0	5.5	-	-	-	6.0
WBK12-01B	Low type			38.0	20.0	38	-								
WBK12-01C	Clean			43.0	25.0	35	36								
WBK15-01A	General	15	80	50.0	30.0	40	41	22	25.0	31.0	12.0	-	-	-	5.0
WBK15-01B	Low type			42.0	22.0	42	-								
WBK15-01C	Clean			50.0	30.0	40	41								
WBK20-01	General	20	95	58.0	30.0	45	56	30	42.0	52.0	10.0	-	-	-	10.0

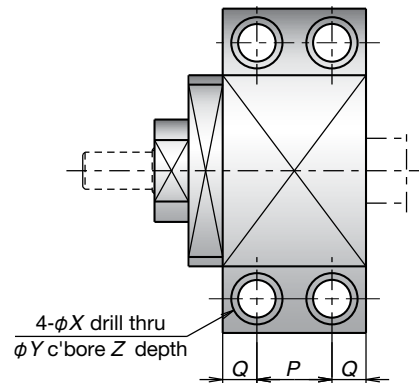
- Notes
1. Use datum surface G for mounting to machine base.
 2. Tighten set screw after locknut has been adjusted and tightened.
 3. Insert brass pad provided with unit into locknut set screw hole, then insert and tighten the set screw.



View S (WBK04 and 06)



View S (WBK08 to 15)



View S (WBK20)

Reference no.	Tightening torque (reference) [N•cm]	
	Locknut	Set screw
WBK04-**	100	69 (M3)
WBK06-**	190	69 (M3)
WBK08-**	230	69 (M3)
WBK10-**	280	147 (M4)
WBK12-**	630	147 (M4)
WBK15-**	790	147 (M4)
WBK20-**	1 670	147 (M4)

Unit : mm

Counterbore dimensions							Mass (kg)	Specification				Locknut screw M	Attached bearing for support side
H	P	Q	W	X	Y	Z		Axial Direction			Maximum starting torque (N•cm)		
								Basic dynamic load rating C_0 (N)	Load limit N	Rigidity (N/μm)			
7.0	-	-	21	3.5	-	-	0.03	1 470	464	39	0.20	M4×0.50	-
8.5	-	-	26	5.5	-	-	0.05	2 760	854	60	0.35	M6×0.75	-
11.5	-	-	38	6.6	11	12	0.25	4 400	1 450	49	0.88	M8×1.0	606ZZ
11.0			46	9.0	14	18	0.30	6 600	2 730	94	1.90		606VV
11.5			38	6.6	11	12	0.25	3 100	1 100	36	0.52		
12.0	-	-	52	9.0	14	11	0.50	6 600	2 730	94	1.90	M10×1.0	608ZZ
						19	0.45	6 600	2 730	94	1.90		608VV
						11	0.50	4 250	1 364	50	1.10		
12.0	-	-	52	9.0	14	11	0.50	7 100	3 040	104	2.10	M12×1.0	6000ZZ
						19	0.40	7 100	3 040	104	2.10		6000VV
						11	0.50	4 700	2 443	57	1.20		
12.5	-	-	60	11.0	17	15	0.70	7 600	3 380	113	2.40	M15×1.0	6002ZZ
						23	0.60	7 600	3 380	113	2.40		6002VV
						15	0.70	5 100	2 757	63	1.30		
-	22	10	75	11.0	17	15	1.40	17 900	8 240	155	6.20	M20×1.0	6204ZZ

4. Deep groove ball bearing and snap ring are also provided for simple support side. (except WBK04-01M, WBK06-01M).

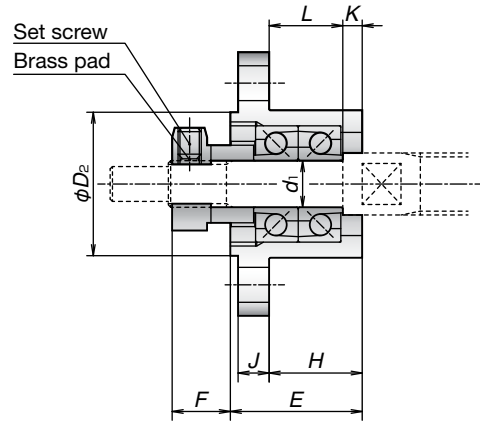
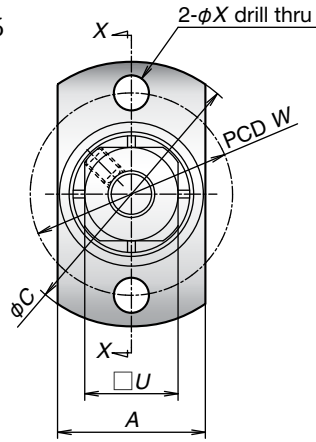
5. For retaining cover side of WBK08-01A and WBK08-01C, there are no seals.

6. For WBK04-01M and WBK06-01M, non-contact metal seals are installed in both sides of bearings.

Support Units

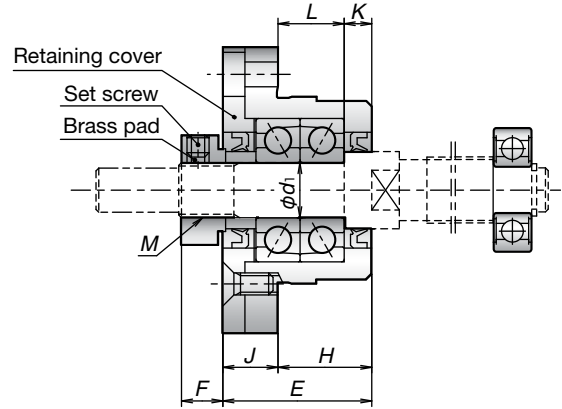
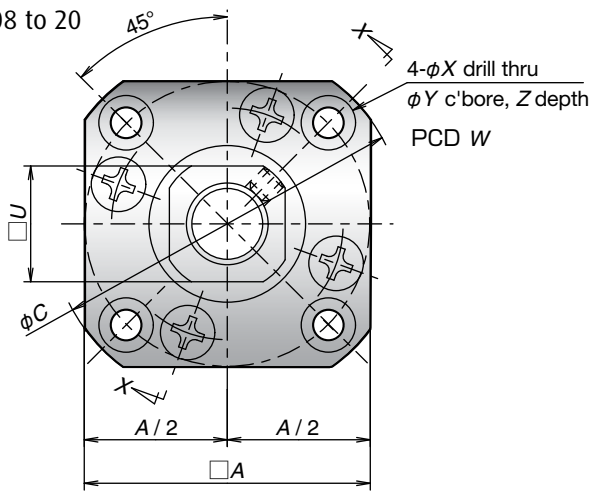
Fixed support side support unit (round type)

WBK04 and 06



Cross section X-X (Example 1)

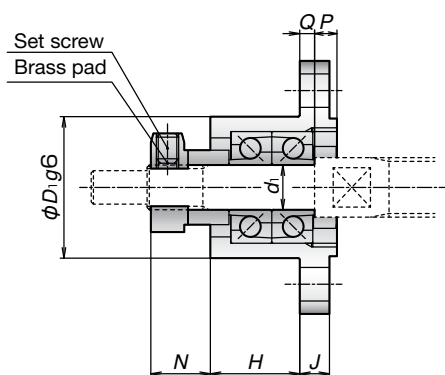
WBK08 to 20



View X-X (Example 1)

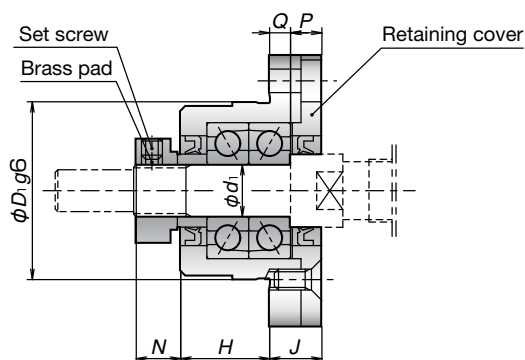
Reference no.	Use	d ₁	A	C	D ₁	D ₂	E	H	L	K	F	N	U	P	Q
WBK04-11M	General	4	14	26	14	14.0	13.5	8.5	7.0	1.5	5.5	6.6	10	2.6	2.4
WBK06-11M	General	6	19	34	19	18.5	17.0	12.0	9.5	2.5	7.5	8.0	12	3.0	2.0
WBK08-11B	High-load	8	42	52	34	-	25.5	15.5	12.0	3.5	4.5	7.0	14	6.0	4.0
WBK08-11	General		35	43	28		23.0	14.0	10.0	4.0	7.0	8.0		5.0	
WBK08-11C	Clean	8	35	43	28	-	23.0	14.0	10.0	4.0	7.0	8.0	14	5.0	4.0
WBK10-11	General	10	42	52	34	-	27.0	17.0	12.0	5.0	7.5	8.5	17	6.0	4.0
WBK10-11C	Clean		42	52	34		27.0	17.0	12.0	5.0	7.5	8.5		17	
WBK12-11	General	12	44	54	36	-	27.0	17.0	12.0	5.0	7.5	8.5	19	6.0	4.0
WBK12-11C	Clean		44	54	36		27.0	17.0	12.0	5.0	7.5	8.5		19	
WBK15-11	General	15	52	63	40	-	32.0	17.0	11.0	6.0	12.0	14.0	22	8.0	7.0
WBK15-11C	Clean		52	63	40		32.0	17.0	11.0	6.0	12.0	14.0		22	
WBK20-11	General	20	68	85	57	-	52.0	30.0	20.0	10.0	10.0	14.0	30	14.0	8.0

- Notes
1. Tighten set screw after locknut has been adjusted and tightened.
 2. Insert brass pad provided with unit into locknut set screw hole, then insert and tighten the set screw.



Cross section X-X (Example 2)

Reference no.	Tightening torque (reference) [N•cm]	
	Locknut	Set screw
WBK04-**	100	69 (M3)
WBK06-**	190	69 (M3)
WBK08-**	230	69 (M3)
WBK10-**	280	147 (M4)
WBK12-**	630	147 (M4)
WBK15-**	790	147 (M4)
WBK20-**	1 670	147 (M4)



View X-X (Example 2)

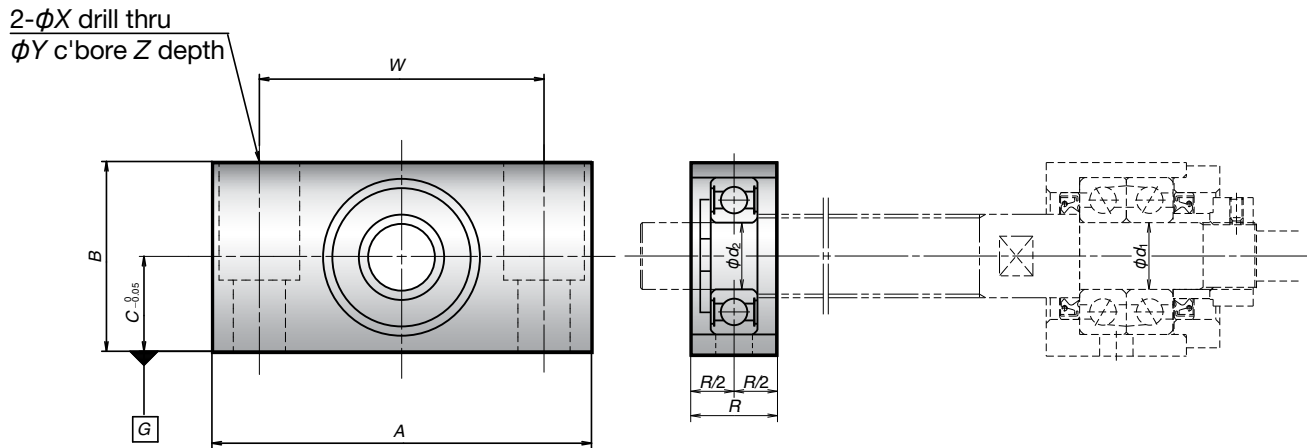
Unit : mm

Counterbore dimensions					Mass (kg)	Specification				Locknut screw M	Attached bearing for support side	
J	W	X	Y	Z		Axial Direction			Maximum starting torque (N•cm)			
						Basic dynamic load rating C_a (N)	Load limit N	Rigidity (N/ μ m)				
3	20	3.5	-	-	0.02	1 470	464	39	0.20	M4 × 0.50	-	
4	26	4.5	-	-	0.04	2 760	854	60	0.35	M6 × 0.75	-	
10	42	4.5	8.0	4	0.20	6 600	2 730	94	1.90	M8 × 1.0	606ZZ	
9	35	3.4	6.5			0.15	4 400	1 450	49		0.88	606ZZ
							3 100	1 100	36		0.52	606VV
10	42	4.5	8.0	4	0.20	6 600	2 730	94	1.90	M10 × 1.0	608ZZ	
					4 250	1 364	50	1.10	608VV			
10	44	4.5	8.0	4	0.25	7 100	3 040	104	2.10	M12 × 1.0	6000ZZ	
					4 700	2 443	57	1.20	6000VV			
15	50	5.5	9.5	6	0.40	7 600	3 380	113	2.40	M15 × 1.0	6002ZZ	
					5 100	2 757	63	1.30	6002VV			
22	70	6.6	11.0	10	1.10	17 900	8 240	155	6.20	M20 × 1.0	6204ZZ	

3. Deep groove ball bearing and snap ring are also provided for simple support side. (except WBK04-11M and WBK06-11M)
4. For retaining cover side of WBK08-11 and WBK08-11C, there are no seals.
5. For WBK04-11M and WBK06-11M, non-contact metal seals are installed in both sides of bearings.

Support Units for Simple Support Side

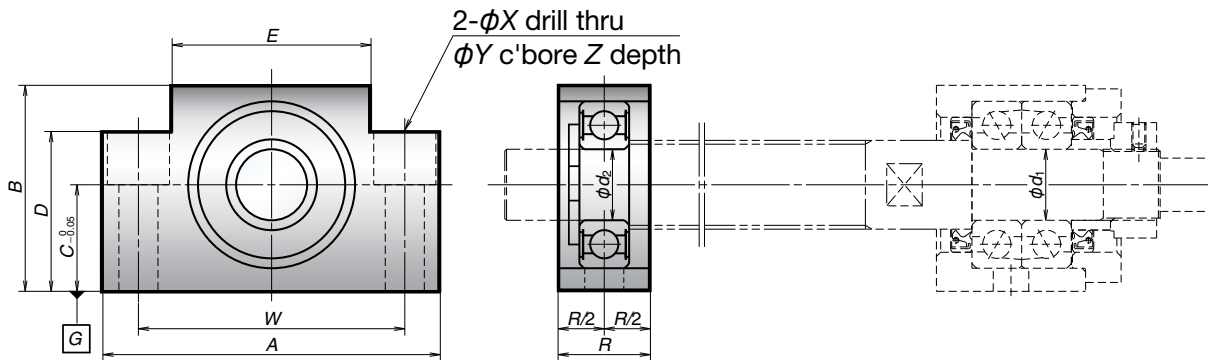
Simple support side support unit for PSS and USS types



Unit : mm

Reference no.	Use	d ₂	A	B	C	R	Counterbore dimensions				Mass (kg)	Bearing reference no.	Radial direction basic dynamic load rating (N)
							W	X	Y	Z			
WBK08S-01B	Low	6	62	31	15.5	16	46	9	14	18	0.2	606ZZ	2 260
WBK12S-01B	Low	10	70	38	20.0	20	52	9	14	19	0.4	600ZZ	4 550
WBK15S-01B	Low	15	80	42	22.0	20	60	9	14	23	0.4	600ZZ	5 600

Note 1. Use datum surface G for mounting to machine base.



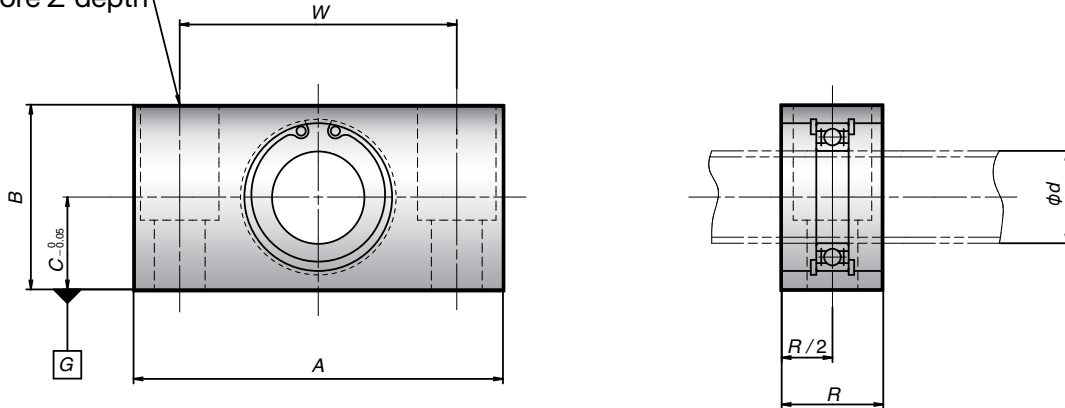
Unit : mm

Reference no.	Use	d ₂	A	B	C	D	E	R	Counterbore dimensions				Mass (kg)	Bearing reference no.	Radial direction basic dynamic load rating (N)
									W	X	Y	Z			
WBK08S-01	General	6	52	32	17	26	25	15	38	6.6	11	12	0.15	606ZZ	2 260
WBK08S-01C	Clean													606VV	2 260
WBK10S-01	General	8	70	43	25	35	36	20	52	9.0	14	11	0.40	608ZZ	3 300
WBK10S-01C	Clean													608VV	3 300
WBK12S-01	General	10	70	43	25	35	36	20	52	9.0	14	11	0.35	600ZZ	4 550
WBK12S-01C	Clean													600VV	4 550
WBK15S-01	General	15	80	50	30	40	41	20	60	9.0	14	11	0.45	600ZZ	5 600
WBK15S-01C	Clean													600VV	5 600
WBK20S-01	General	20	95	58	30	45	56	26	75	11.0	17	15	0.80	6204ZZ	12 800

Note 1. Use datum surface G for mounting to machine base.

Simple support side support unit for FSS types

2- ϕX drill thru
 ϕY c'bore Z depth

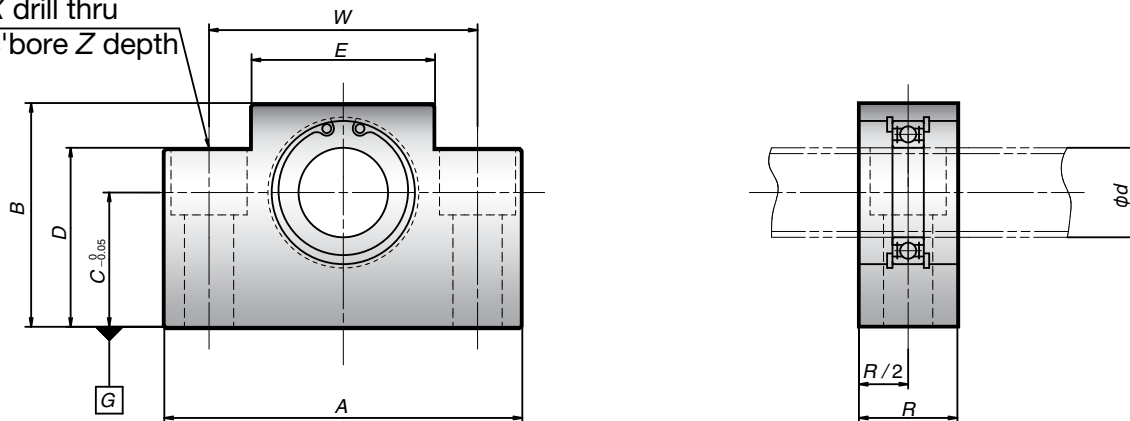


Unit : mm

Reference no.	d	A	B	C	R	Counterbore dimensions				Mass (kg)	Bearing reference no.	Radial direction basic dynamic load rating (N)
						W	X	Y	Z			
WBK12SF-01B	12	62	31	15.5	18	46	9	14	18	0.2	6801ZZ	1 920
WBK15SF-01B	15	70	38	20.0	18	52	9	14	19	0.3	6902ZZ	4 350
WBK20SF-01B	20	80	42	22.0	22	60	11	17	23	0.4	6804ZZ	4 000

Note 1. Use datum surface G for mounting to machine base.

2- ϕX drill thru
 ϕY c'bore Z depth



Unit : mm

Reference no.	d	A	B	C	D	E	R	Counterbore dimensions				Mass (kg)	Bearing reference no.	Radial direction basic dynamic load rating (N)
								W	X	Y	Z			
WBK25SF-01	25	95	58	30	45	56	22	75	11	17	15	0.55	6005ZZ	10 100

Note 1. Use datum surface G for mounting to machine base.

NSK Sales Offices – Europe, Middle East and Africa

UK

NSK UK Ltd.
Northern Road, Newark
Nottinghamshire NG24 2JF
Tel. +44 (0) 1636 605123
Fax +44 (0) 1636 643276
info-uk@nsk.com

France & Benelux

NSK France S.A.S.
Quartier de l'Europe
2, rue Georges Guynemer
78283 Guyancourt Cedex
Tel. +33 (0) 1 30573939
Fax +33 (0) 1 30570001
info-fr@nsk.com

Germany, Austria, Switzerland, Nordic

NSK Deutschland GmbH
Harkortstraße 15
40880 Ratingen
Tel. +49 (0) 2102 4810
Fax +49 (0) 2102 4812290
info-de@nsk.com

Italy

NSK Italia S.p.A.
Via Garibaldi, 215
20024 Garbagnate
Milanese (MI)
Tel. +39 02 995 191
Fax +39 02 990 25 778
info-it@nsk.com

Middle East

NSK Bearings Gulf Trading Co.
JAFZA View 19, Floor 24 Office 2/3
Jebel Ali Downtown,
PO Box 262163
Dubai, UAE
Tel. +971 (0) 4 804 8205
Fax +971 (0) 4 884 7227
info-me@nsk.com

Poland & CEE

NSK Polska Sp. z o.o.
Warsaw Branch
Ul. Migdałowa 4/73
02-796 Warszawa
Tel. +48 22 645 15 25
Fax +48 22 645 15 29
info-pl@nsk.com

Russia

NSK Polska Sp. z o.o.
Russian Branch
Office 1 703, Bldg 29,
18th Line of Vasilievskiy Ostrov,
Saint-Petersburg, 199178
Tel. +7 812 3325071
Fax +7 812 3325072
info-ru@nsk.com

South Africa

NSK South Africa (Pty) Ltd.
25 Galaxy Avenue
Linbro Business Park
Sandton 2146
Tel. +27 (011) 458 3600
Fax +27 (011) 458 3608
nsk-sa@nsk.com

Spain

NSK Spain, S.A.
C/ Tarragona, 161 Cuerpo Bajo
2ª Planta, 08014 Barcelona
Tel. +34 93 2892763
Fax +34 93 4335776
info-es@nsk.com

Turkey

NSK Rulmanları Orta Doğu Tic. Ltd. Şti
19 Mayıs Mah. Atatürk Cad.
Ulya Engin İş Merkezi No: 68/3 Kat. 6
P.K.: 34736 - Kozyatağı - İstanbul
Tel. +90 216 4777111
Fax +90 216 4777174
turkey@nsk.com

Please also visit our website: www.nsk europe.com

Global NSK: www.nsk.com

