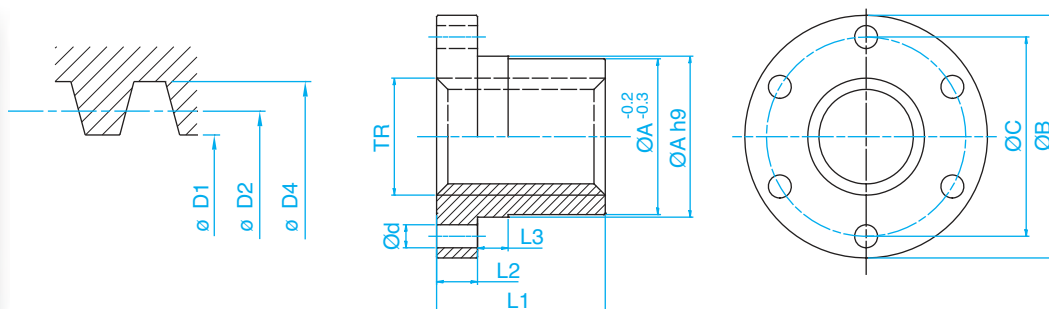


Type BFM



Collerette ronde
Trapézoïdal suivant ISO 2901/2903 et DIN103

Ecrou - Bronze CuSn7ZnPb - tolérance 7H

Référence Type	Pas - Hand		Dimensions - mm							Taraudage tolérance 7H - mm					Surface de contact Contact surface	Poids Weight
	Droite Right	Gauche Left	ØA	ØB	ØC	d (x6)	L1	L2	L3	D1		D2		D4		
										maxi	mini	maxi	mini		mm / 300 mm	Kg/ M
BFM 8x1,5	*		18	35	26	3,5	20	7	6	6,690	6,5	7,474	7,3	8,3	170	0,135
BFM 10x2	*	*	25	42	34	5	25	10	6	8,236	8,0	9,250	9,0	10,5	282	0,162
BFM 12x3	*	*	28	48	38	6	35	12	8	9,315	9,0	10,800	10,5	12,5	474	0,266
BFM 14x3	*	*	28	48	38	6	35	12	8	11,315	11,0	12,800	12,5	14,5	564	0,258
BFM 14x4	*	*	28	48	38	6	35	12	8	10,375	10,0	12,355	12,0	14,5	551	0,258
BFM 16x4	*	*	28	48	38	6	35	12	8	12,375	12,0	14,355	14,0	16,5	642	0,244
BFM 18x4	*	*	28	48	38	6	35	12	8	14,375	14,0	16,355	16,0	18,5	734	0,228
BFM 20x4	*	*	32	55	45	7	44	12	8	16,375	16,0	18,355	18,0	20,5	1 038	0,346
BFM 22x5	*	*	32	55	45	7	44	12	8	17,450	17,0	19,900	19,5	22,5	1 139	0,322
BFM 24x5	*	*	32	55	45	7	44	12	8	19,450	19,0	21,900	21,5	24,5	1 256	0,304
BFM 26x5	*	*	38	62	50	7	46	14	8	21,450	21,0	23,900	23,5	26,5	1 435	0,474
BFM 28,5	*	*	38	62	50	7	46	14	8	23,450	23,0	25,900	25,5	28,5	1 557	0,422
BFM 30X6	*	*	38	62	50	7	46	14	8	24,500	24,0	27,450	27,0	31,0	1 670	0,408
BFM 32X6	*	*	45	70	58	7	54	16	10	26,500	26,0	29,450	29,0	33,0	2 105	0,706
BFM 36X6	*	*	45	70	58	7	54	16	10	30,500	30,0	33,450	33,0	37,0	2 395	0,606
BFM 40X7	*	*	63	95	78	9	66	16	12	33,700	33,0	36,950	36,5	41,0	3 287	1,700
BFM 44X7	*	*	63	95	78	9	66	16	12	37,700	37,0	40,950	40,5	45,0	3 647	1,524
BFM 50X8	*	*	72	110	90	11	75	18	14	42,630	42,0	46,530	46,0	51,0	4 696	2,324
BFM 60X9	*	*	88	130	110	13	90	20	16	51,630	51,0	56,030	55,5	61,0	6 840	3,980
BFM 70X10	*	*	95	140	120	13	105	22	18	60,710	60,0	65,560	65,0	71,0	9 403	4,465
BFM 80X10	*	*	105	150	130	13	120	24	20	70,710	70,0	75,560	75,0	81,0	12 397	6,150
DOUBLE FILETS																
BFM 10x4	*		25	42	34	5	25	10	6	8,236	8,0	9,280	9,0	10,5	282	0,162
BFM 12x6	*		28	48	38	6	35	12	8	9,315	9,0	10,836	10,5	12,5	474	0,266
BFM 14x6	*		28	48	38	6	35	12	8	11,315	11,0	12,836	12,5	14,5	564	0,280
BFM 16x8	*		28	48	38	6	35	12	8	12,375	12,0	14,398	14,0	14,5	642	0,244
BFM 18x8	*		28	48	38	6	35	12	8	14,375	14,0	16,398	16,0	18,5	734	0,228
BFM 20x8	*		32	55	45	7	44	12	8	16,375	16,0	18,398	18,0	20,5	1 038	0,346
BFM 22x10	*		32	55	45	7	44	12	8	17,450	17,0	19,948	19,5	22,5	1 139	0,322
BFM 24x10	*		32	55	45	7	44	12	8	19,450	19,0	21,948	21,5	24,5	1 256	0,304
BFM 28x10	*		38	62	50	7	46	14	8	23,450	23,0	25,948	25,5	28,5	1 557	0,442
BFM 30x12	*		38	62	50	7	46	14	8	24,500	24,0	27,504	27,0	31,0	1 670	0,408
BFM 32x12	*		45	70	58	7	54	16	10	26,500	26,0	29,504	29,0	33,0	2 105	0,706
BFM 36x12	*		45	70	58	7	54	16	10	30,500	30,0	33,504	33,0	37,0	2 395	0,606
BFM 40x14	*		63	95	78	9	66	16	12	33,700	33,0	37,004	36,5	41,0	3 287	1,700

Vis trapézoïdales