

EWELLIX

A Schaeffler Company

Telescopic pillar for medical procedure equipment

Improving patient accessibility and lifting performance



The heritage of innovation

Ewellix is a global innovator and manufacturer of linear motion and actuation solutions. Our state-of-the-art linear solutions are designed to increase machine performance, maximise uptime, reduce maintenance, improve safety and save energy. We engineer solutions for assembly automation, medical equipment, mobile machinery, distribution and a wide range of other industrial applications.

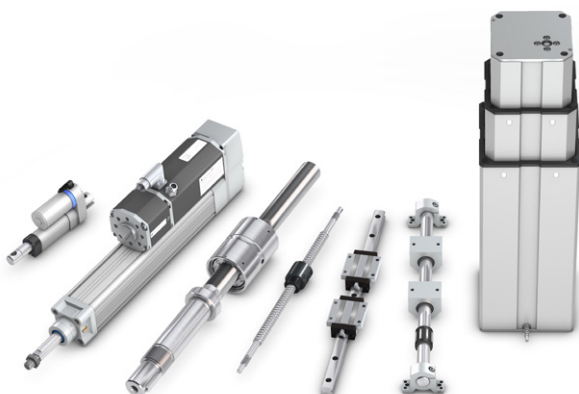
Technology leadership

We earned our reputation through decades of engineering excellence. Our journey began over 50 years ago as part of the SKF Group, a leading global technology provider. Our history provided us with the expertise to continuously develop new technologies and use them to create cutting edge products that offer our customers a competitive advantage.

In 2019, we became independent and changed our name to Ewellix. We are proud of our heritage. This gives us a unique foundation on which to build an agile business with engineering excellence and innovation as our core strengths.

Global presence and local support

With our global presence, we are uniquely positioned to deliver standard components and custom-engineered solutions, with full technical and applications support around the world. Our skilled engineers provide total life-cycle support, helping to optimise the design, operation and maintenance of equipment thus improving productivity and reliability while reducing costs. At Ewellix, we don't just provide products; we engineer integrated solutions that help customers realise their ambitions.



Schaeffler Group – We pioneer motion

Ewellix is since 2023 owned by the Schaeffler Group.

As a leading global supplier to the automotive and industrial sectors, the Schaeffler Group has been driving forward groundbreaking inventions and developments in the fields of motion and mobility for over 75 years.

With innovative technologies, products, and services for electric mobility, CO₂-efficient drives, Industry 4.0, digitalization, and renewable energies, the company is a reliable partner for making motion and mobility more efficient, intelligent, and sustainable.

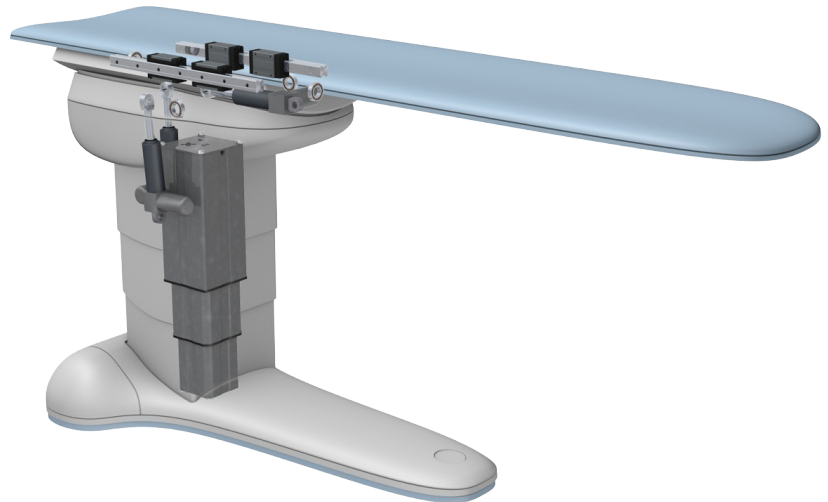
Schaeffler manufactures high-precision components and systems for powertrain and chassis applications as well as rolling and plain bearing solutions for a large number of industrial applications.



Benefits and applications

Performance benefits

- Better accessibility for patients
- More positioning flexibility for healthcare providers
- High load capacity to support higher patient weights
- Increased speed and positioning for greater clinical efficiency
- High stability and thus increased safety for all medical procedures
- Virtually maintenance-free



Design benefits

- Tested reliability at typical equipment load and lifetime
- High degree of design flexibility
- Complete plug-and-play solution
- Worldwide service and support
- IEC 60601-1:2005 (UL certified)

Applications

- Surgical or operating tables
- Procedure or examination chairs
- Mobile C-arm imaging tables

Meeting performance and market demands

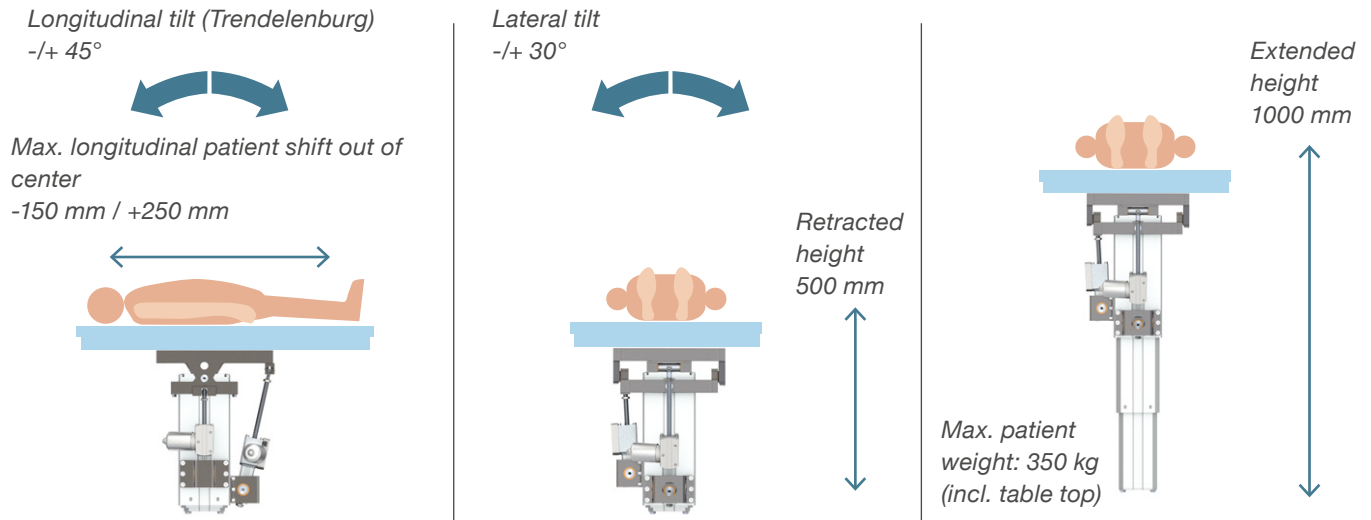
The demographic trends of an aging, and increasingly obese population present new performance challenges for medical equipment. To meet these challenges, medical facilities need procedure equipment with lower patient entry heights, greater operator flexibility and increased load capacity. Faster positioning speeds are required to improve patient throughput.

The Ewellix Telescopic pillar for medical procedure equipment – series CPMT offers equipment manufacturers a solution to meet these challenges. Combining low installation height with high lifting range and high load capacity, the series CPMT pillar provides stiff, reliable and safe performance for surgical tables, procedure chairs and mobile C-arm imaging tables.

Robust functionality and reliability

The series CPMT pillar is a three-section telescopic pillar featuring very low retracted height and high stroke range. The combination provides improved accessibility for patients without compromising total extended height for clinical procedures. To support clinical efficiency, the series CPMT pillar offers high positioning speeds and the ability to access pre-set positions.

The series CPMT pillar also meets load capacity requirements for bariatric surgery equipment, enabling table designs that can handle patient weights up to 450 kg (1 000 lbs.), including a static overload safety that complies with surgical regulatory requirements. Its reliability has been tested to support the load of a typical medical procedure equipment operation virtually maintenance-free over its lifecycle.



Wide degree of design flexibility

The series CPMT pillar lets manufacturers configure a solution to best meet their application requirements.

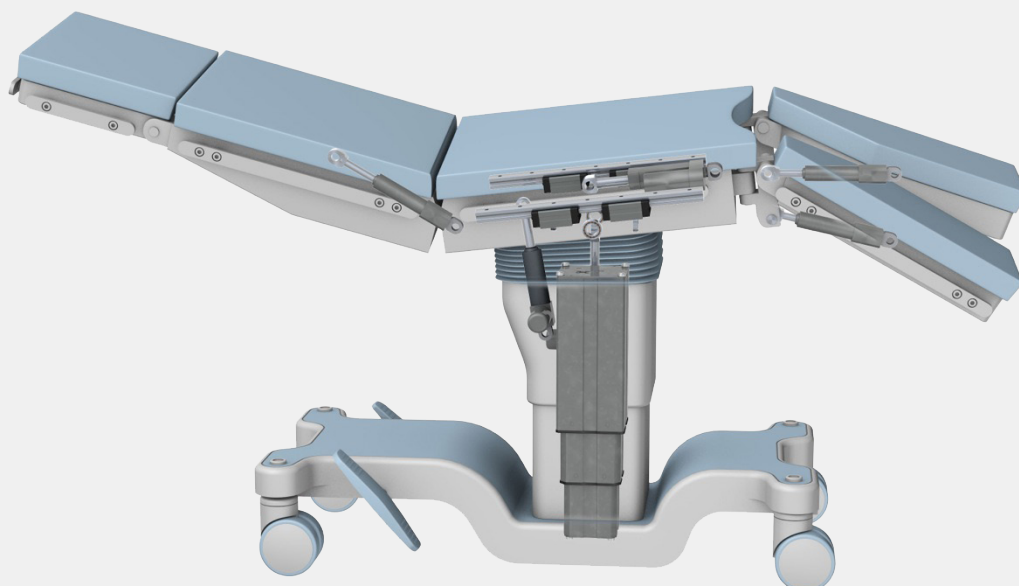
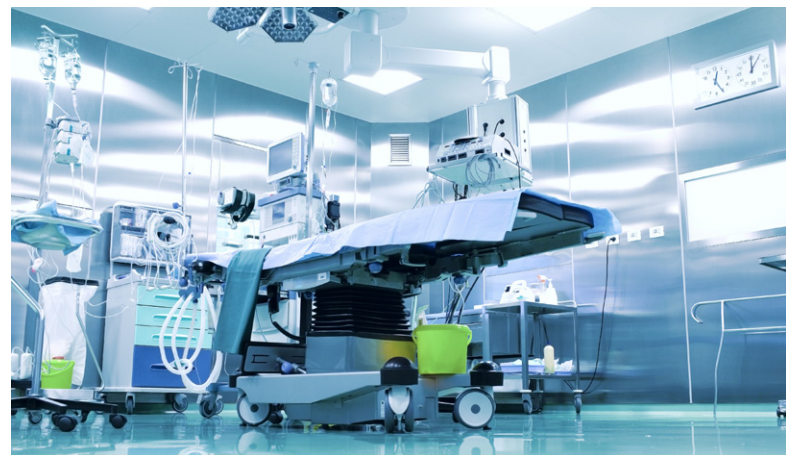
Two standard retracted height options enable configurations with optimized offset load capacity. Optional threads on the outer section provide direct mounting options for additional actuators or brackets.

The series CPMT pillar is available as a ready-to-install system with UL certified Ewellix controllers and operating devices, or with an optional flying leads cable for seamless integration with third party controllers while maintaining UL certification.

Faster development and global support

The series CPMT pillar features plug-and-play installation for simplified assembly resulting in reduced manufacturing costs. Fully tested and UL certified according to IEC 60601-1:2005, the CPMT pillar can also help manufacturers reduce regulatory efforts and expenses.

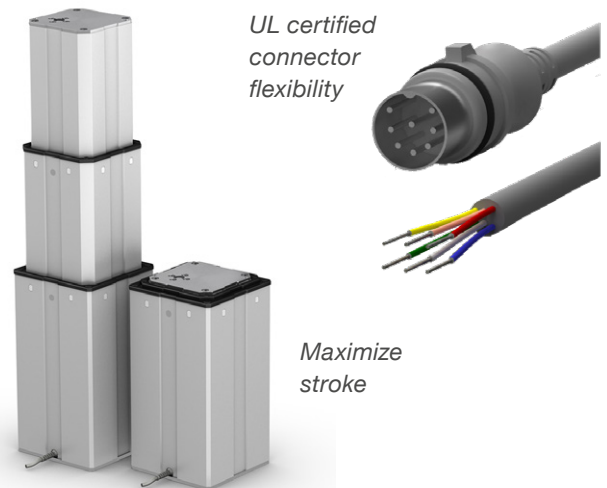
Available in short delivery times worldwide, the series CPMT pillar is backed by Ewellix's global footprint through local Ewellix sales and service providers. Extensive Ewellix expertise in medical applications can help manufacturers achieve an optimized, cost-effective equipment development cycle.



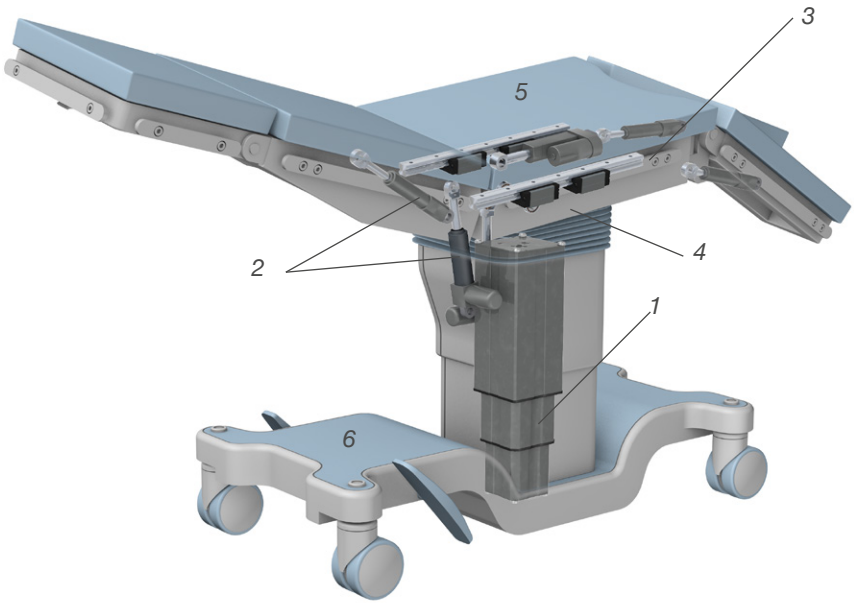
Technical feature highlights

- Low retracted height – minimum 320 mm (12.6 in.)
- High stroke range – 300-600 mm (11.8 – 23.6 in.); i.e., 400 mm stroke at 320 mm retracted height
- High load capacity – up to 6 000 N (1 350 lbs.)
- High speed – up to 34 mm/s (1.34 in./s)
- Dynamic bending moment up to 1 400 Nm (1 033 lbs-ft)
- High static bending moment up to 3 000 Nm (2 213 lbs-ft)
- High static load (push) – 15 000 N (3 370 lbs.)
- Safety factor 4x on rated load (self locking)
- Lifetime L_{10} = 60 000 cycles (at average load 3 000 N and stroke 200 mm)
- Voltage range 24-30 VDC
- Optional customized threads on outer profile (for brackets/ actuator attachments)
- Cable connector flexibility
- Complete IEC 60601-1:2005 certified solution from Ewellix available with pillar, controller and operating devices
- 2-Hall encoder and end-limit switches built in
- Hardware interface matches existing Ewellix Telemag pillars
- IEC 60601-1:2005, ANSI/AAMI ES60601-1:2005 (UL certified)

Equipment design flexibility



Ewellix capability offer – Medical procedure equipment



1. Pillar



2. Actuator



3. Profile rail



4. Precision rail



5. Ball screws



6. Control units

France Linéaire Industrie

ZA Bois Saint Pierre
484 impasse des quatre Mollards
38280 Janneyrias - France

France

Téléphone : 04 72 14 93 13
commercial@fli-industrie.fr

International

Phone 0033 4 72 14 93 12
export@fli-industrie.fr

www.fli-industrie.fr

ewellix.com

© Ewellix

All contents of this publication are the property of Ewellix, and may not be reproduced or given to third parties (even extracts) without permission. Although great care has been taken in the production of this catalog, Ewellix does not take any responsibility for damage or other loss resulting from omissions or typographical errors. The photo may differ slightly in appearance from the actual product. Due to continuous improvements being made in our products, the product's appearance and specifications are subject to change without notice.

PUB EL-03000-1-EN-February 2023

Certain image(s) used under license from Shutterstock.com.
Schaeffler and Schaeffler logo are trademarks of the Schaeffler Group